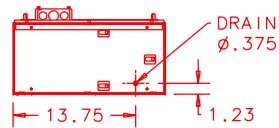
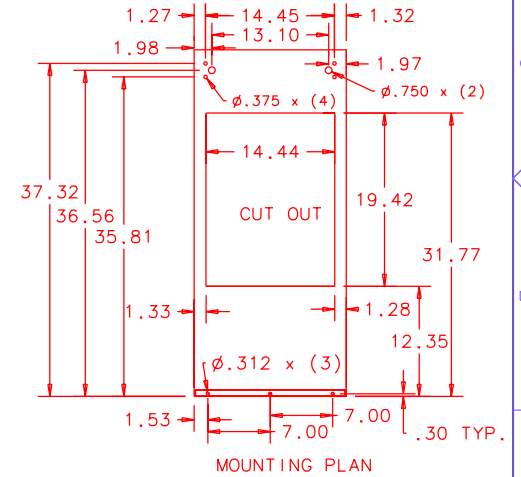
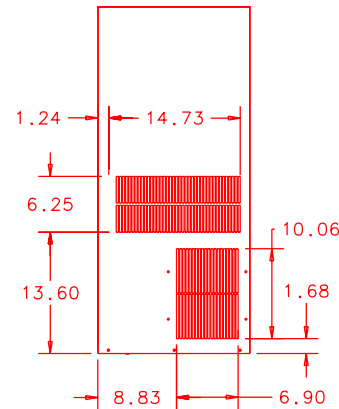
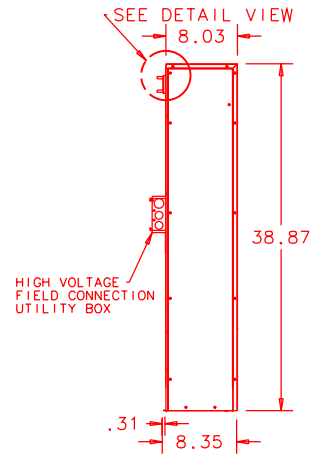
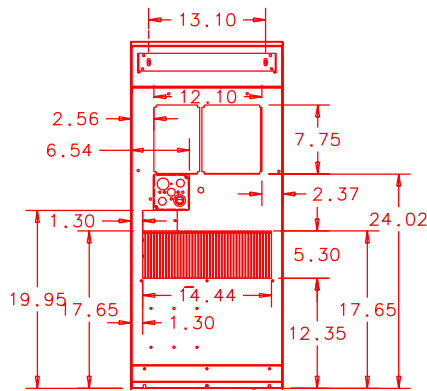
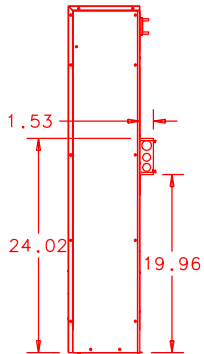
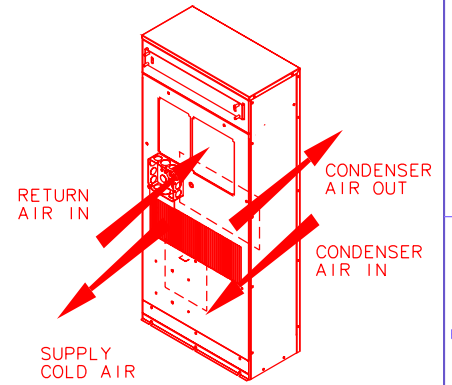
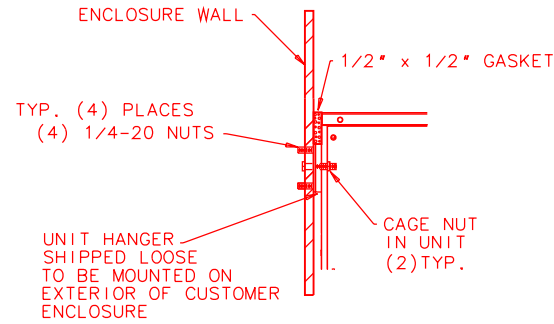
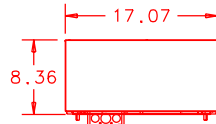



THIS DOCUMENT IS THE PROPERTY OF KOOLTRONIC, INC. AND CONTAINS PROPRIETARY AND CONFIDENTIAL INFORMATION WHICH MUST NOT BE DUPLICATED, USED OR DISCLOSED TO OTHERS, EXCEPT AS EXPRESSLY AUTHORIZED IN WRITING BY KOOLTRONIC, INC.

REVISIONS				
SYM	NOTICE	DESCRIPTION	DATE	APPROVED
-	ER 06/	NEW DRAWING RELEASE	2/14/06	RDM



UNLESS OTHERWISE SPECIFIED TOLERANCES NON-ACCUMULATIVE				DRAWN		DATE			
TOL. ON	INCHES	MM		R. D. MOORE	2/14/06				
.XX	± .02	±		CHECKED					
.XXX	± .010	±		ENG.	J. MILKO			2/15/06	
ANGULAR	± 1/2 °			MFG. ENG.		TITLE			
MATERIAL						CODE IDENT. NO.	SIZE	DWG. NO.	REV
UNIT				APPROVED		06223	C	GA26100A	-
K3A4C5DP38L SERIES				B. KREELEY		2/15/06	SCALE .093=1	CAD. REF.	SHEET 1 OF 1

GENERAL ARRANGEMENT
AIR CONDITIONER