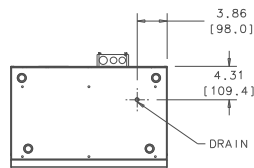
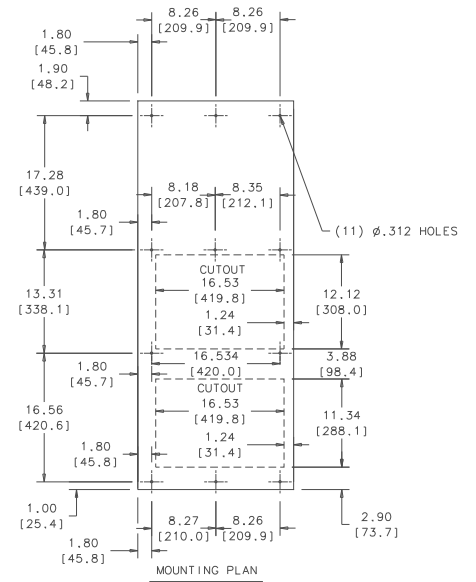
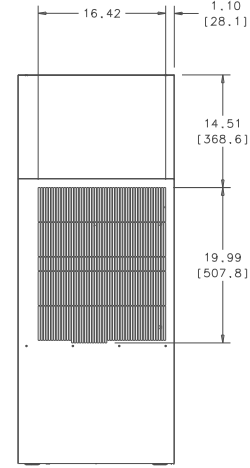
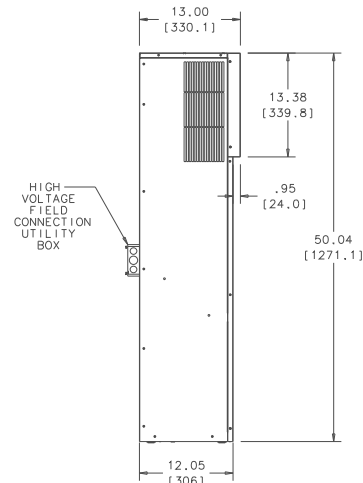
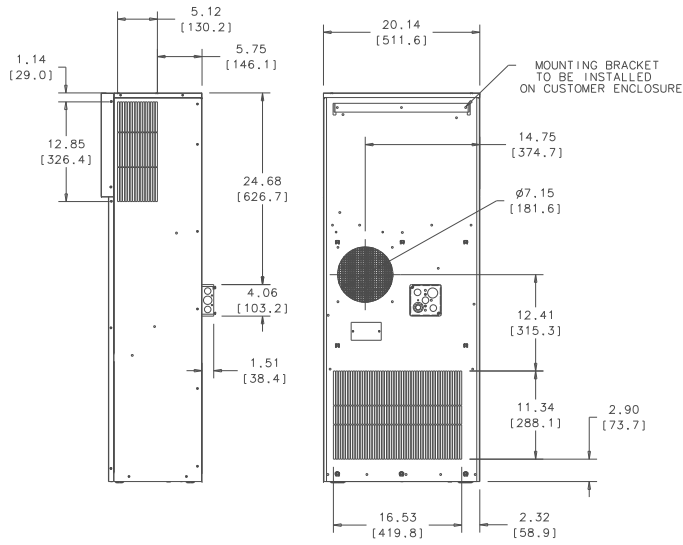
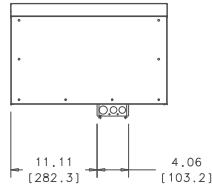
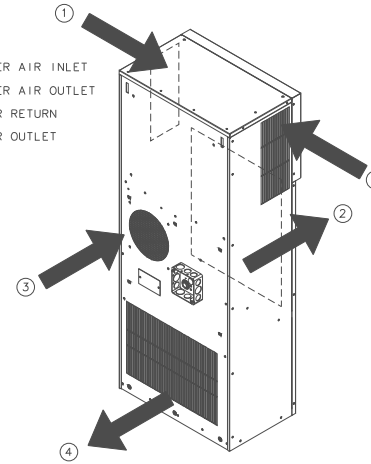


THIS DOCUMENT IS THE PROPERTY OF KOOLTRONIC, INC. AND CONTAINS PROPRIETARY AND CONFIDENTIAL INFORMATION WHICH MUST NOT BE DUPLICATED, USED OR DISCLOSED TO OTHERS, EXCEPT AS EXPRESSLY AUTHORIZED IN WRITING BY KOOLTRONIC, INC.

REVISONS		DESCRIPTION	DATE	APPROVED
SYM	NOTICE			
A	ER 11/014	NEW DRAWING RELEASE	3/21/11	JS

- ① CONDENSER AIR INLET
- ② CONDENSER AIR OUTLET
- ③ WARM AIR RETURN
- ④ COOL AIR OUTLET



P/N GA27201A

ALL DIMENSIONS ARE IN INCHES. DIMENSIONS DESIGNATED "M" ARE IN MILLIMETERS.				DRAWN: D. WALDRON 1/18/11		DATE: 1/18/11	
TOL. ON	INCHES	M	CHECKED	ENG.	DATE	TITLE	
.XX	± .02	±	Steve Schriener	1/21/11		GENERAL ARRANGEMENT	
.XXX	± .010	±	Jim Dister	1/21/11		K3NA6C14DP50L	
ANGULAR	± 1/2	°	MFG. ENG.				
MATERIAL	SEE BOM				CODE IDENT. NO.	SIZE	DWG. NO.
UNIT	K3NA6C14DP50L			APPROVED	06223	D	GA27201A
			Bruce Kreeley	4/20/11	SCALE	1/28=1:1	CAD. REF.
							SHEET 1 OF 1



PENNSYLVANIA, PA USA