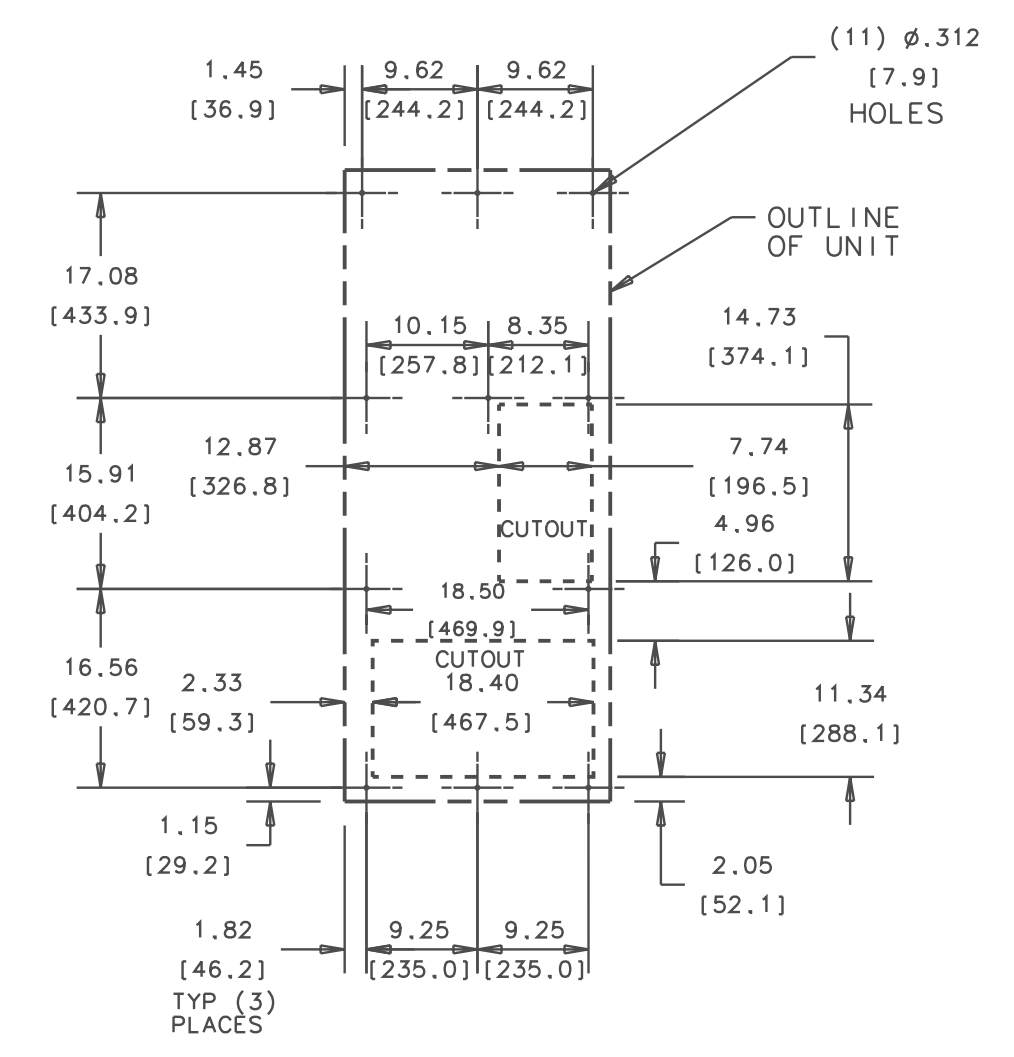
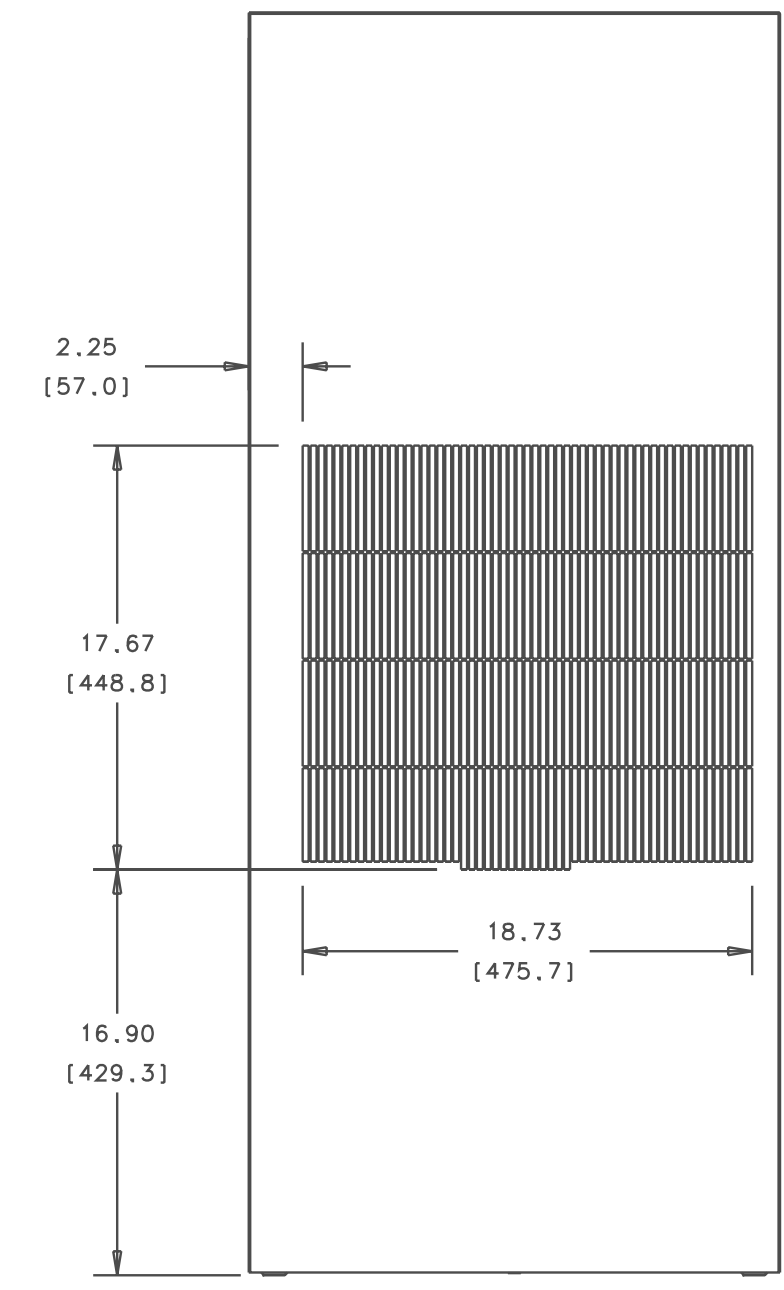
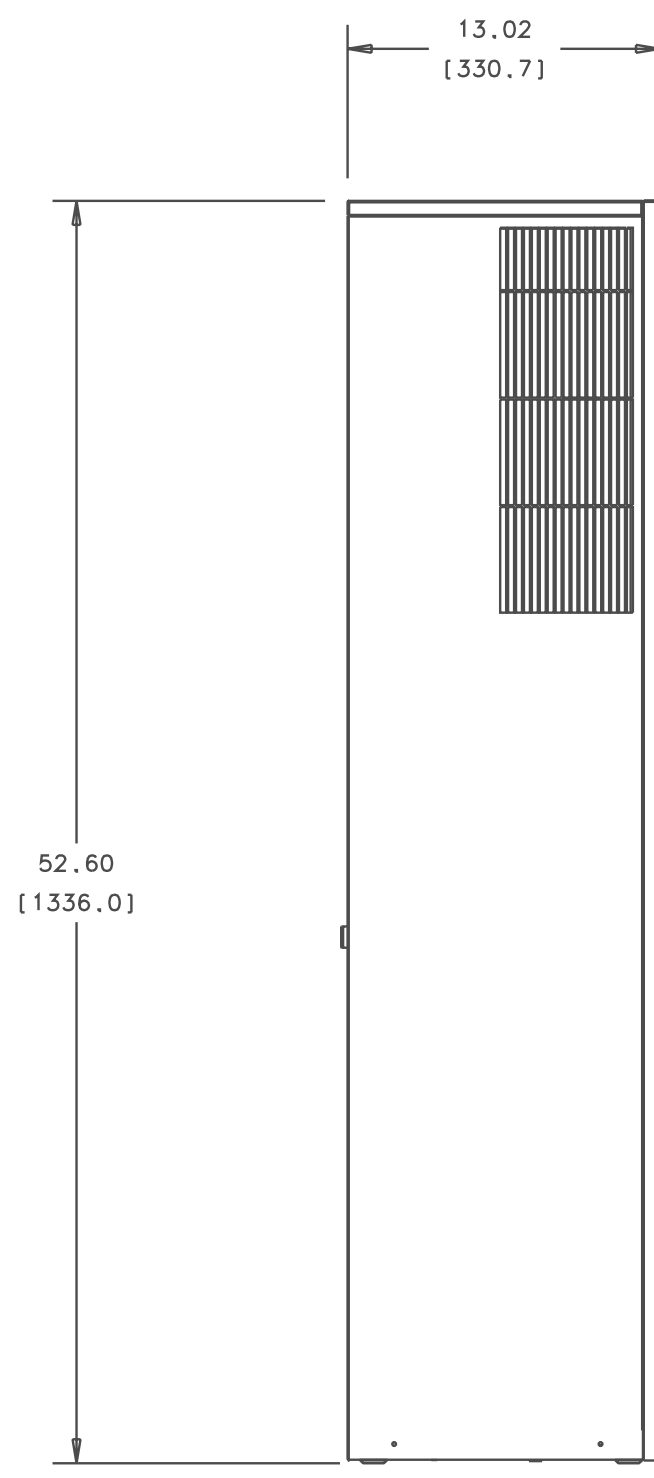
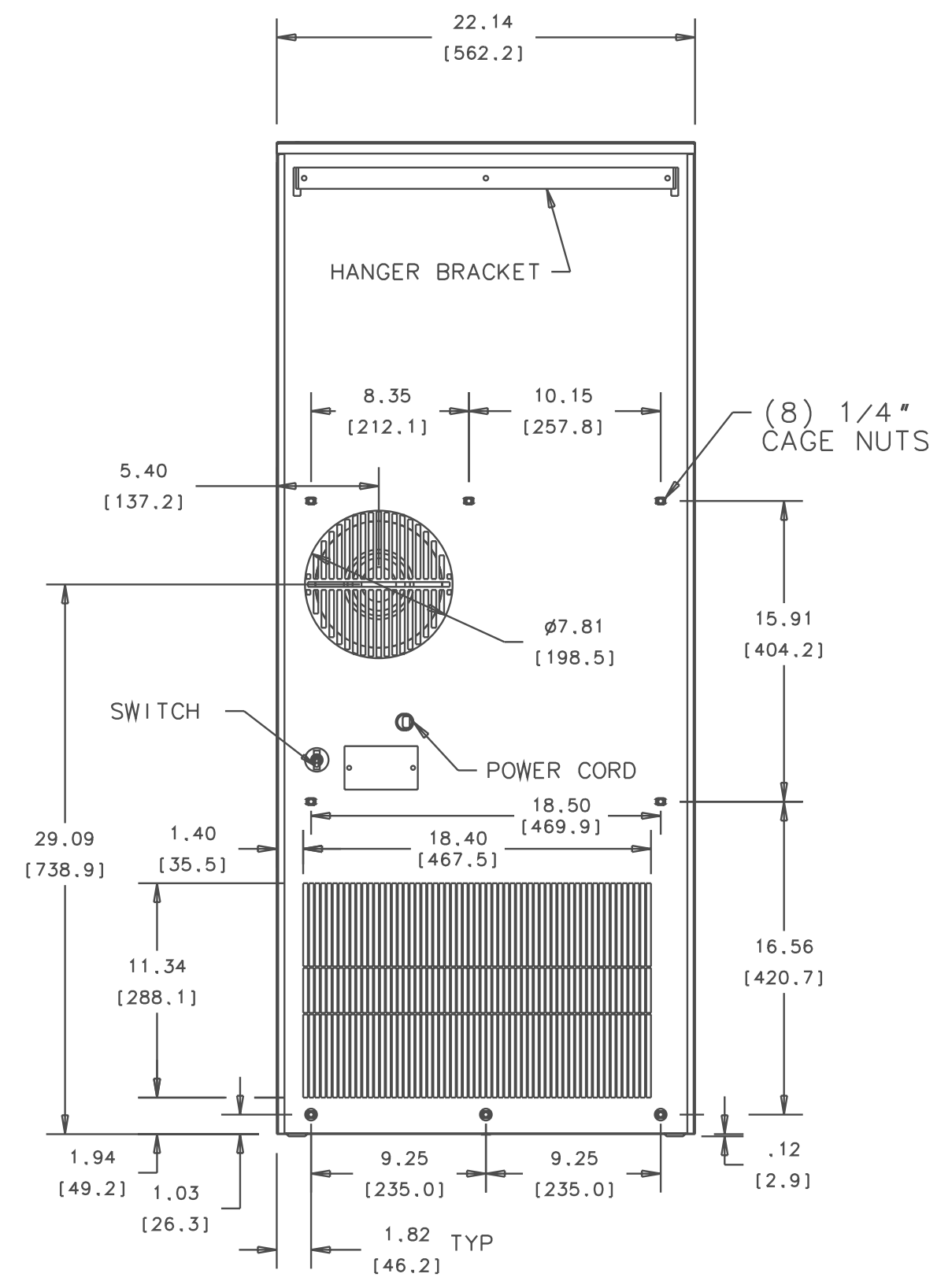
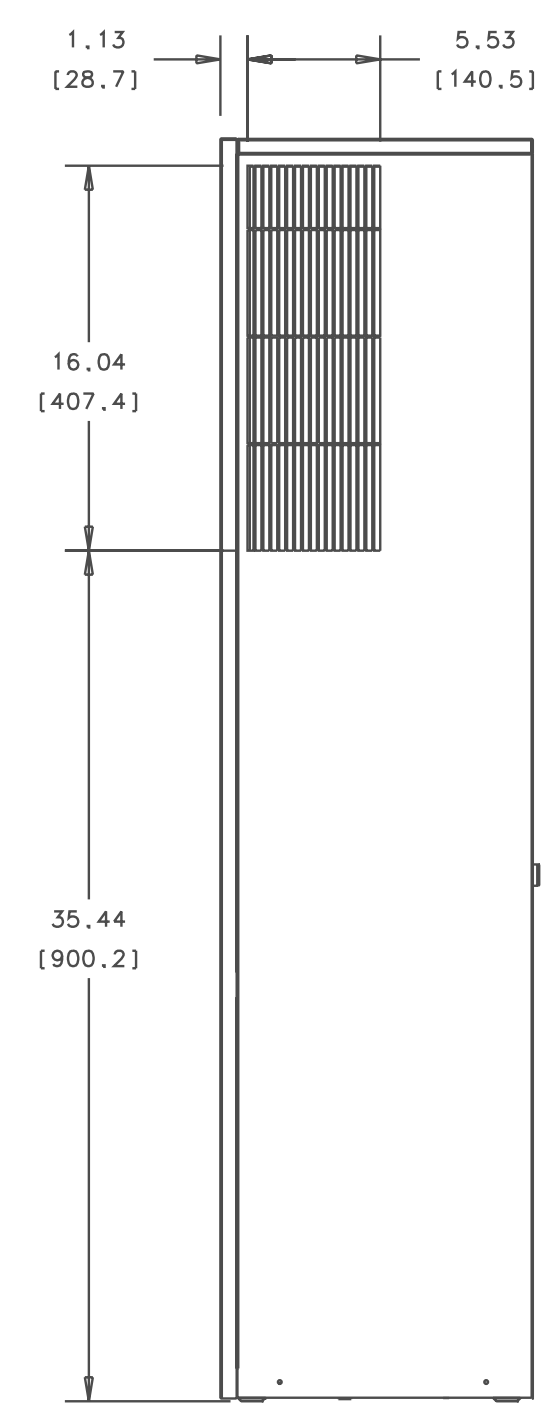
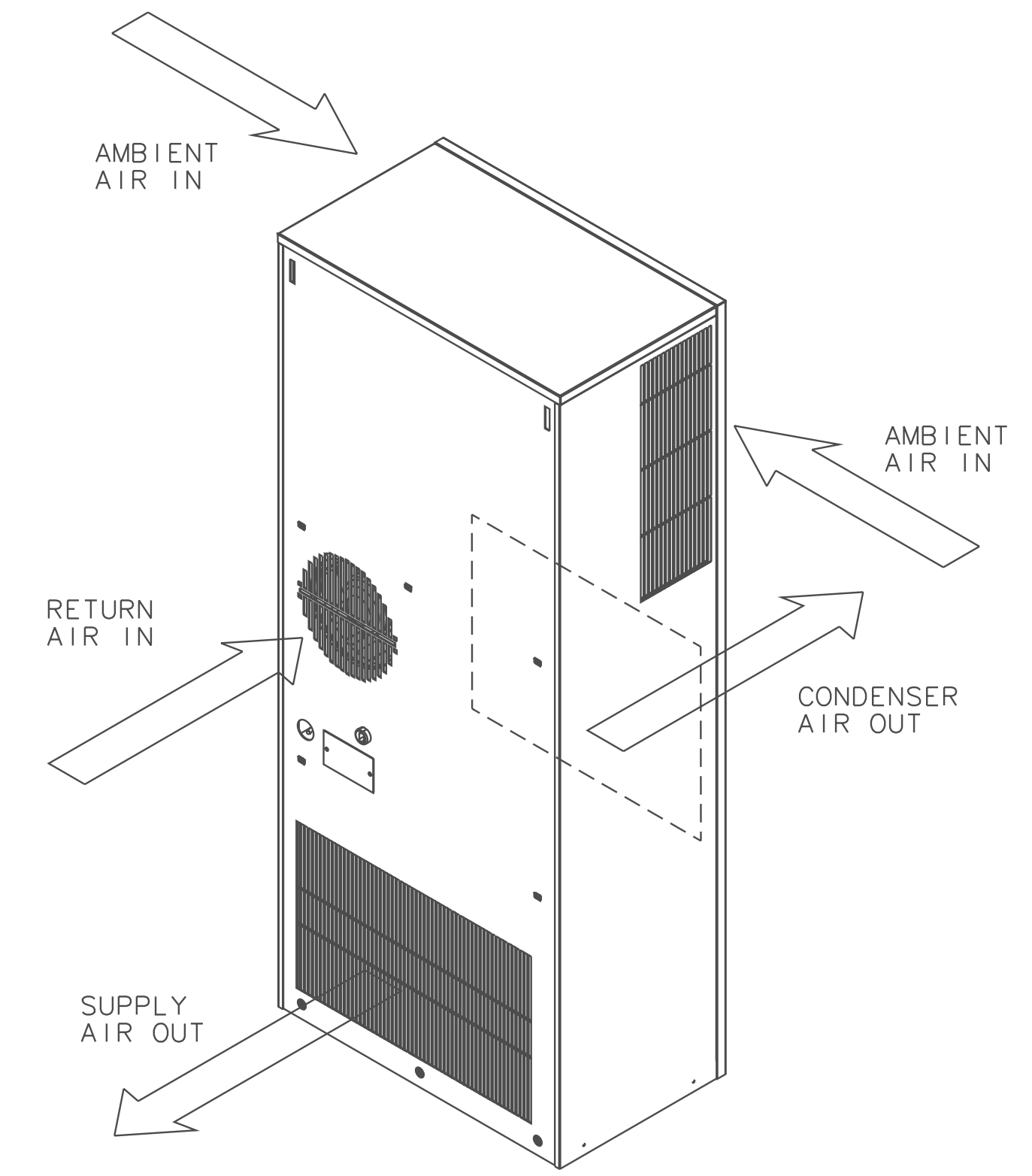
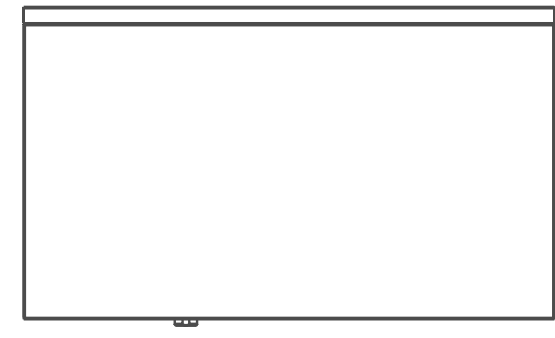
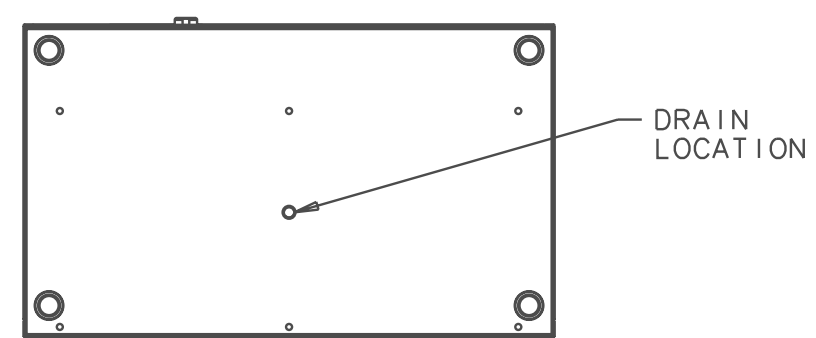


THIS DOCUMENT IS THE PROPERTY OF KOOLTRONIC, INC. AND CONTAINS PROPRIETARY AND CONFIDENTIAL INFORMATION WHICH MUST NOT BE DUPLICATED, USED OR DISCLOSED TO OTHERS, EXCEPT AS EXPRESSLY AUTHORIZED IN WRITING BY KOOLTRONIC, INC.

REVISIONS				
SYM	NOTICE	DESCRIPTION	DATE	APPROVED
-	ER 09/001	NEW DRAWING RELEASE	3/11/09	JS



MOUNTING PLAN  
SCALE .0625"=1"



ALL DIMENSIONS ARE IN INCHES. DIMENSIONS DESIGNATED MM ARE IN MILLIMETERS. UNLESS OTHERWISE SPECIFIED TOLERANCES NON-ACCUMULATIVE			DRAWN JERRY STEDNICK		DATE 3/11/09	 PENNINGTON, NJ USA	TITLE <b>GENERAL ARRANGEMENT</b>
TOL. ON	INCHES	MM	CHECKED	ENG.	MFG. ENG.		
.xx	± .02	±					
.xxx	± .010	±					
ANGULAR	± 1/2 °						
MATERIAL						CODE IDENT. NO. 06223	SIZE D
UNIT K_NA_C18DP53L	APPROVED					DWG. NO. GA27300A	REV -
						CAD. REF. SCALE 1:125=1	SHEET 1 OF 1