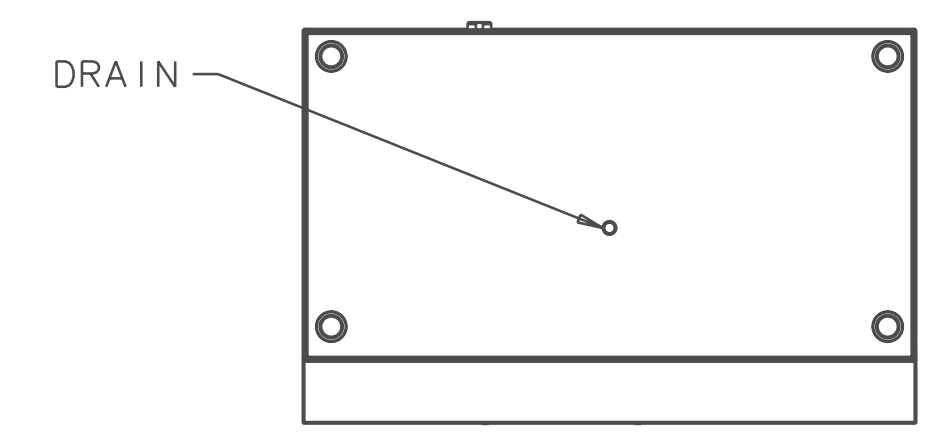
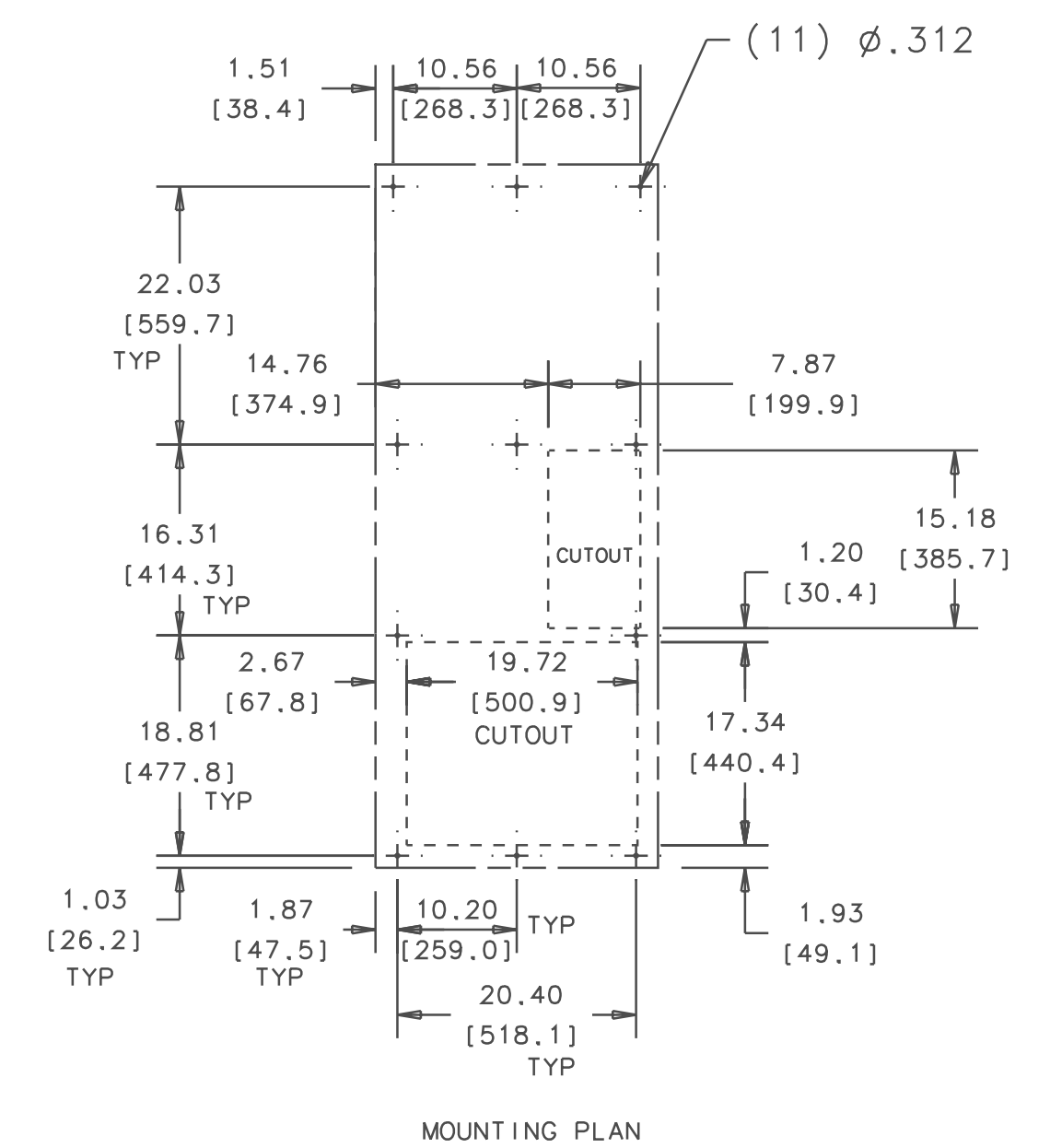
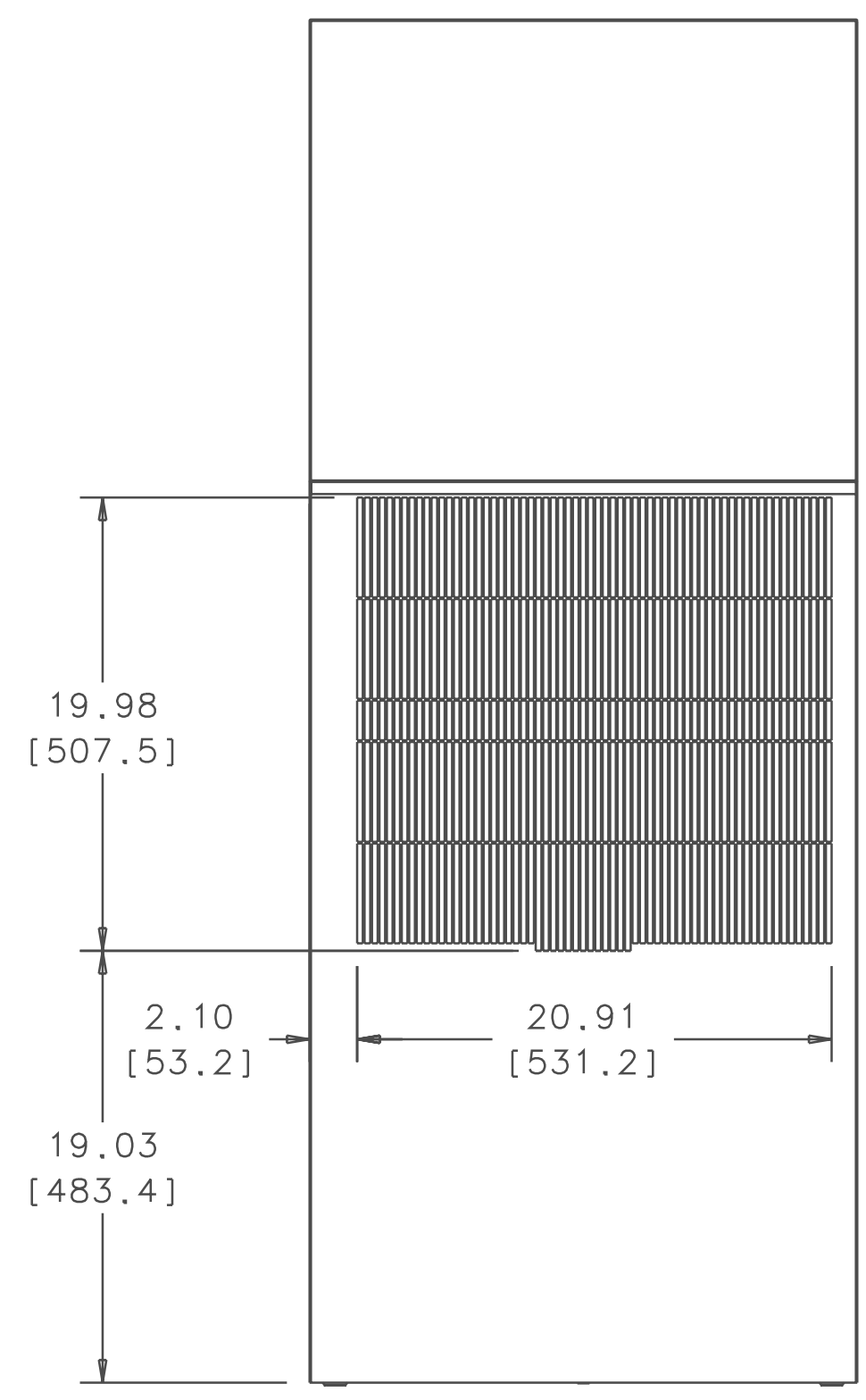
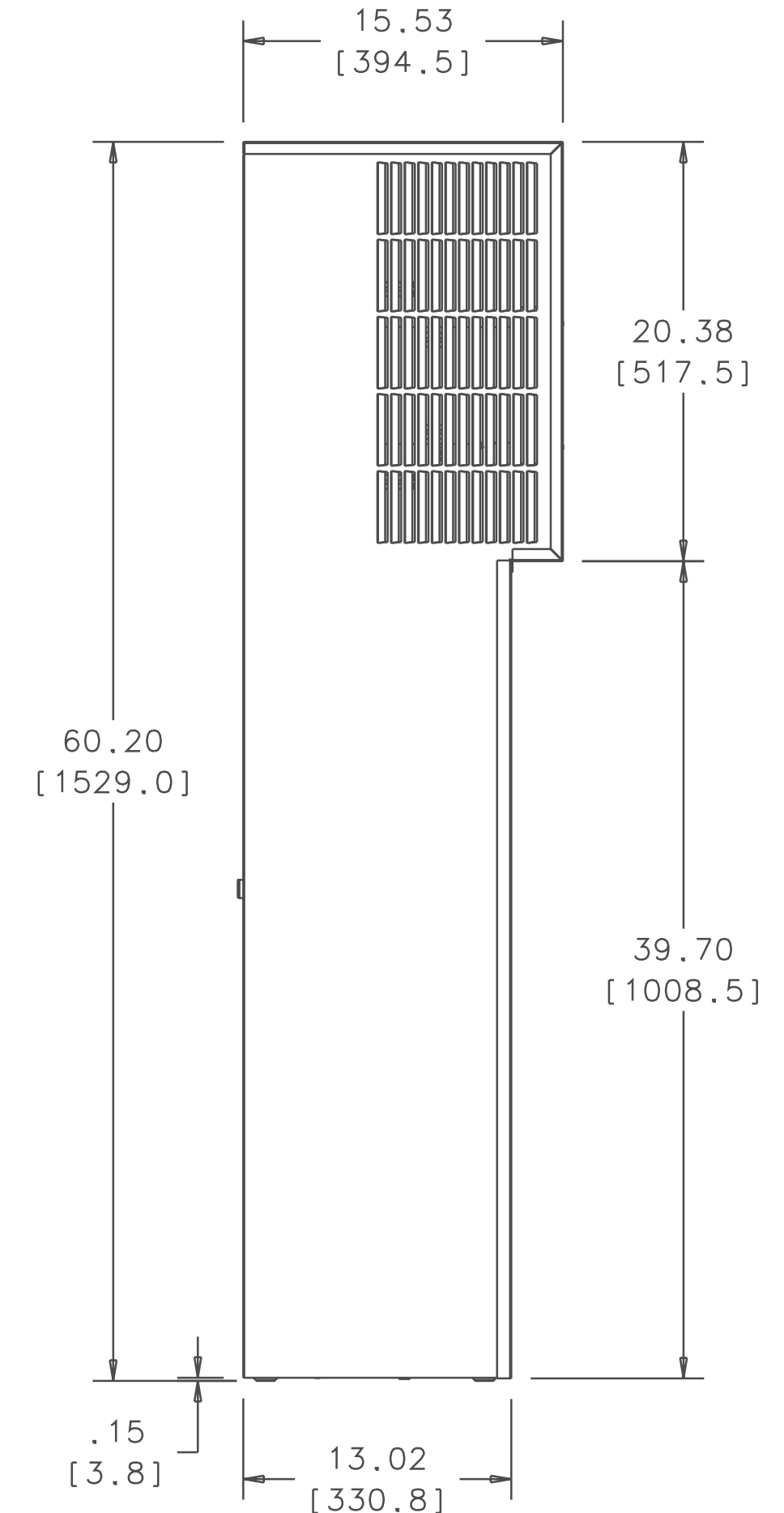
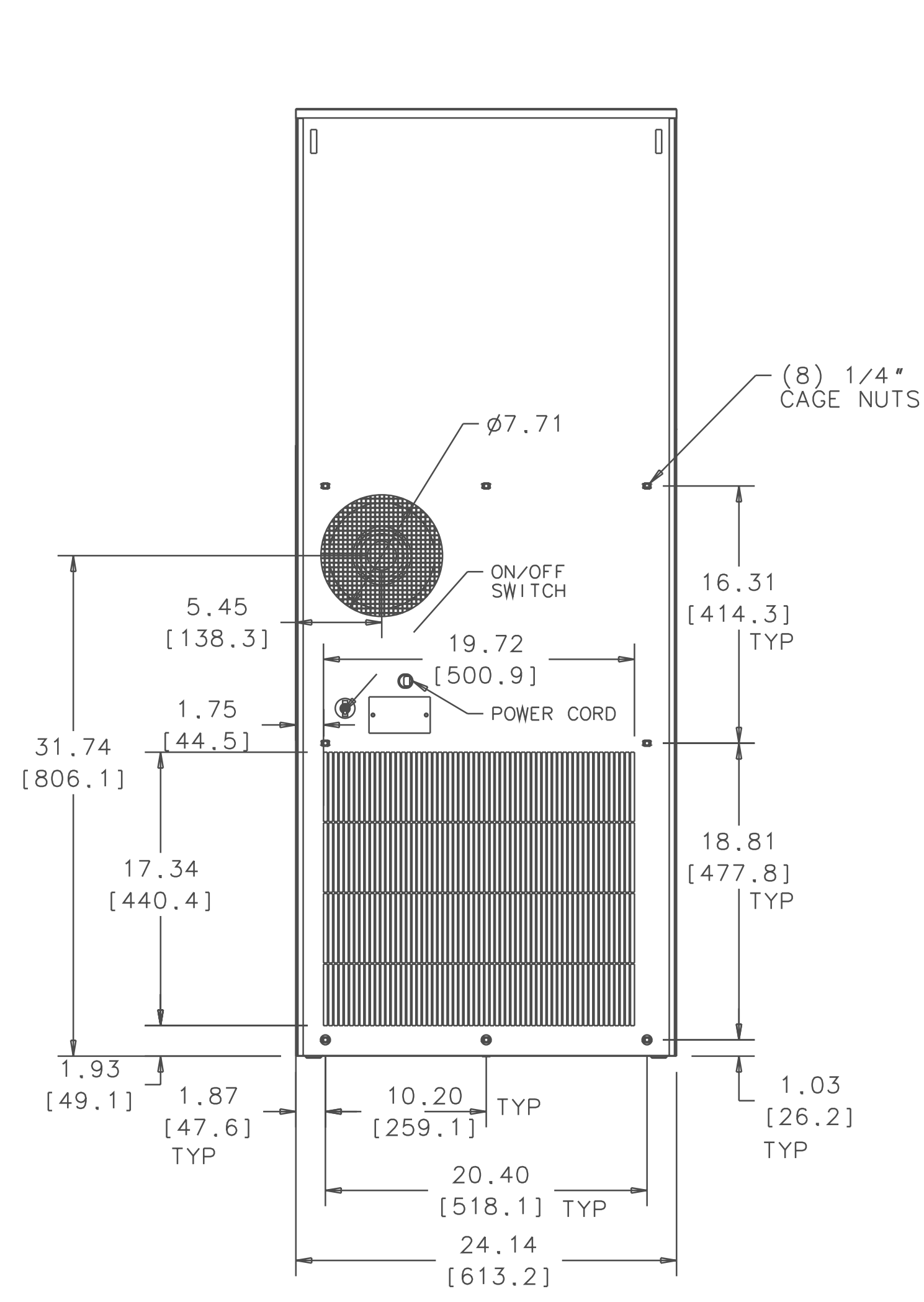
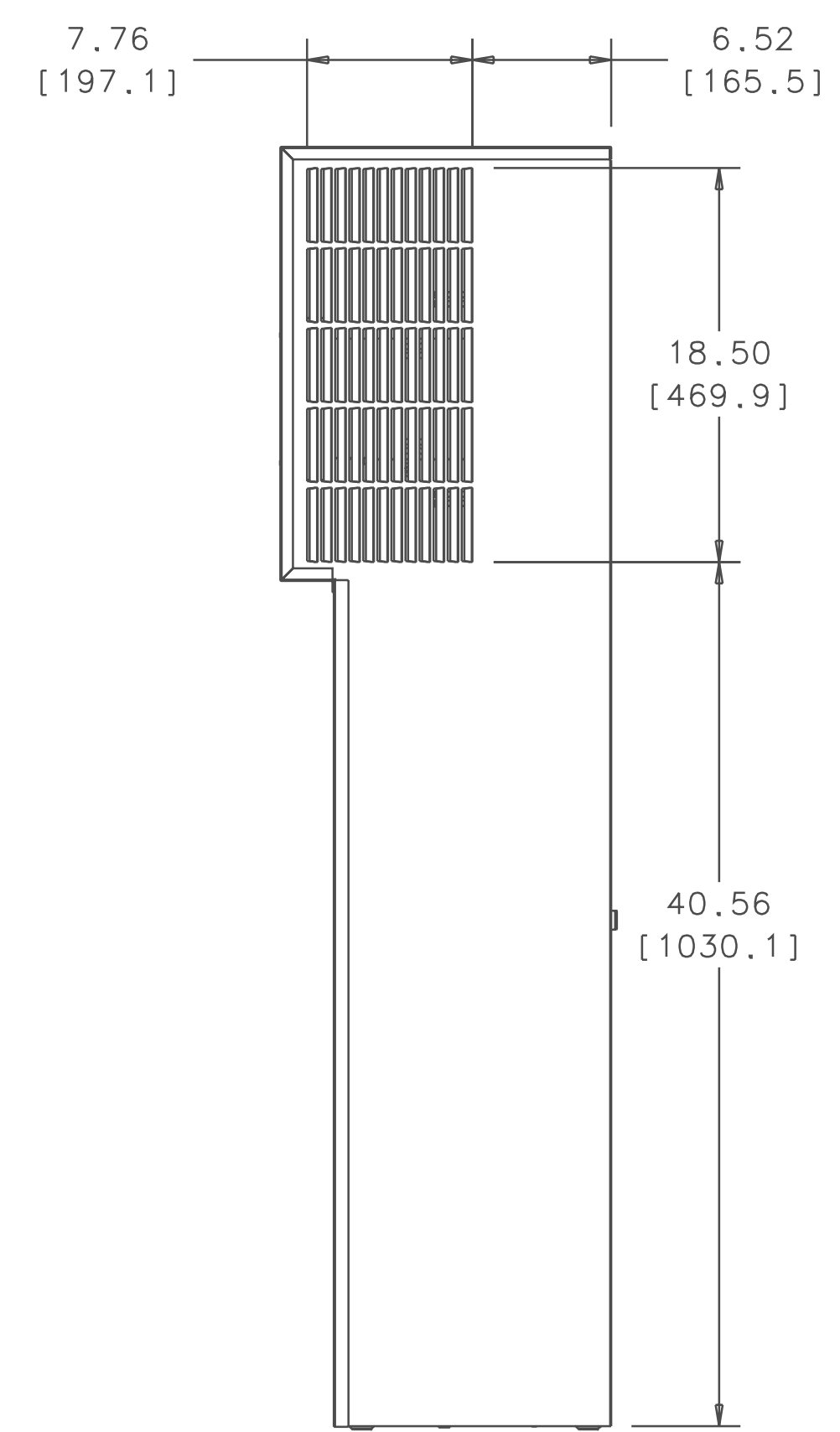
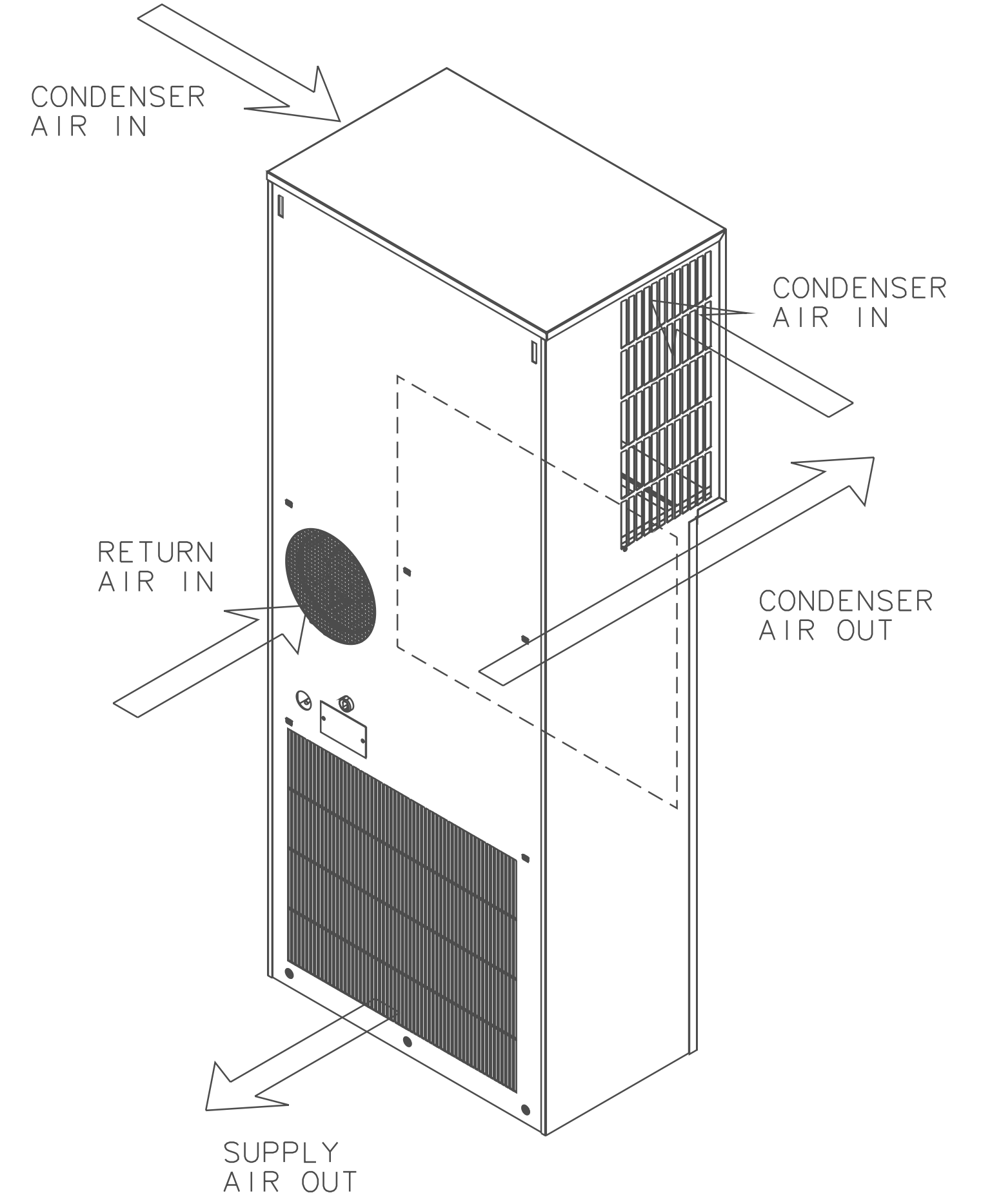
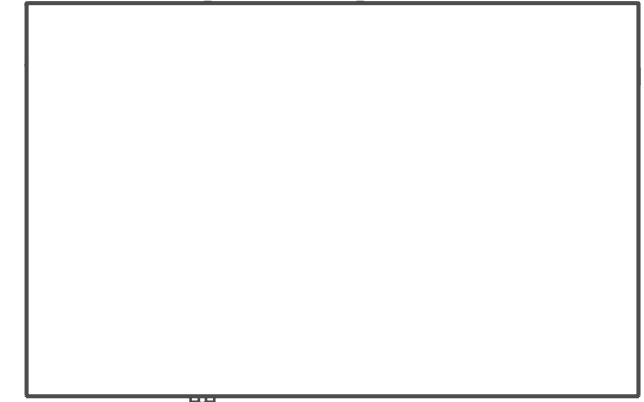


THIS DOCUMENT IS THE PROPERTY OF KOOLTRONIC, INC. AND CONTAINS PROPRIETARY AND CONFIDENTIAL INFORMATION WHICH MUST NOT BE DUPLICATED, USED OR DISCLOSED TO OTHERS, EXCEPT AS EXPRESSLY AUTHORIZED IN WRITING BY KOOLTRONIC, INC.

REVISIONS				
SYM	NOTICE	DESCRIPTION	DATE	APPROVED
-	ER 09/023	NEW DRAWING RELEASE	4/16/09	JS



UNLESS OTHERWISE SPECIFIED TOLERANCES NON-ACCUMULATIVE				DRAWN DATE		
TOL.	ON	INCHES	MM	JERRY STEDNICK	4/16/09	
.xx	±	.02	±	ENG.		TITLE
.xxx	±	.010	±	MFG. ENG.		GENERAL ARRANGEMENT
ANGULAR			± 1/2°			
MATERIAL						
UNIT				APPROVED		
K2NA6C26DP60L						

CODE IDENT. NO.	SIZE	DWG. NO.	REV
06223	D	GA27400A	-
SCALE	CAD. REF.	SHEET	1 OF 1
1:25=1			