

THIS DOCUMENT IS THE PROPERTY OF KOOLTRONIC, INC. AND CONTAINS PROPRIETARY AND CONFIDENTIAL INFORMATION WHICH MUST NOT BE DUPLICATED, USED OR DISCLOSED TO OTHERS, EXCEPT AS EXPRESSLY AUTHORIZED IN WRITING BY KOOLTRONIC, INC.

REVISIONS				
SYM	NOTICE	DESCRIPTION	DATE	APPROVED
-	ER 11/103	NEW DRAWING RELEASE.	2/8/12	DW-JS

A

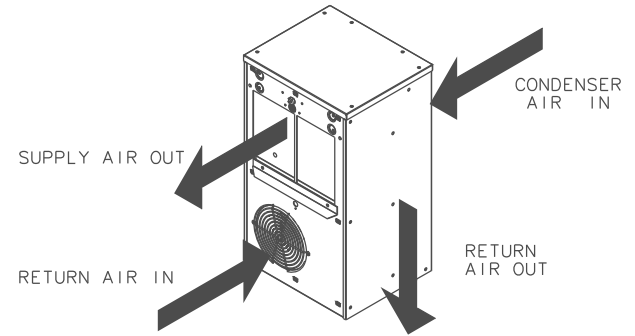
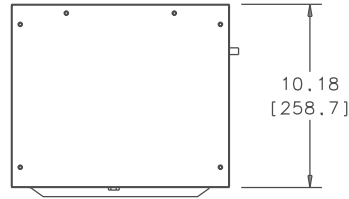
B

C

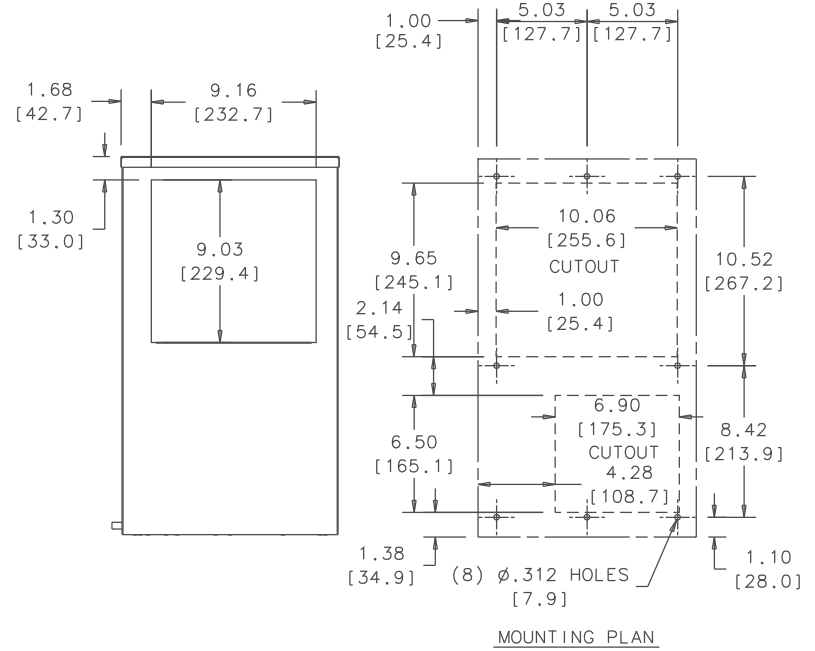
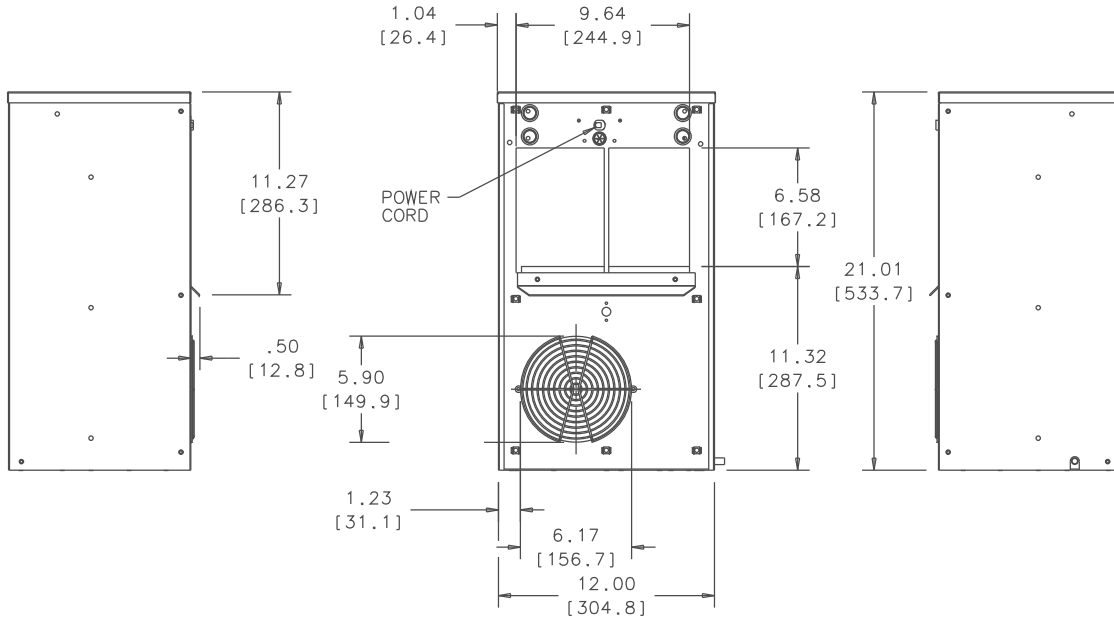
D

E

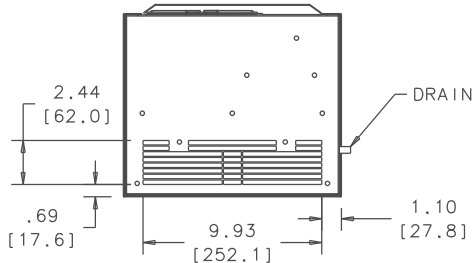
F



ISO VIEW SCALE: .125"=1"



MOUNTING PLAN



UNLESS OTHERWISE SPECIFIED TOLERANCES NON-ACCUMULATIVE				DATE		
TOL. ON	INCHES	MM	DRAWN	D. WALDRON	2/8/12	
.XX	± .02	±	CHECKED	JERRY STEDNICK	2/28/12	<b>GENERAL ARRANGEMENT KNA4C3DP21L</b>
.XXX	± .010	±	ENG.	BORIS MUZIKANT	2/8/12	
ANGULAR		± 1/2 °	MFG. ENG.			
MATERIAL			UNIT		KNA4C3DP21L	CODE IDENT. NO. 06223 SIZE C DWG. NO. GA55000A REV -
APPROVED			Joe M/Bruce K		4/5/12	SCALE: 1/8"=1" CAD. REF. SHEET 1 OF 1

1

2

3

4

5

6

7

8