



# H10 SERIES HORIZONTAL RACK-MOUNTED AIR-COOLED AIR CONDITIONERS

Model	Normally in Stock	BTU/H Capacity	95/95 Rating BTU/H	Ambient Temp. °F Max./Min.	Volts	Hz	* Running Amps	Approx. Weight (lbs.)
KA4C3.5H10R	Yes	3500	2700	125/50	115/100	60/50	15.4	95
K2A4C3.5H10R		3500	2700	115/50	230/200	60/50	9.2	95
K2A4C3.5H10R5		3500	2700	125/50	230	50	6.0	95

\* Rating shown is for operation at maximum ambient temperature.



## STANDARD FEATURES

- Built-in Condensate Evaporator
- CFC-Free Refrigerant
- Filter
- Low Temperature Control Thermostat
- UL/CUL Recognized

## ACCESSORIES AND OPTIONS

- Aluminum Shell
- Compressor Short Cycle Protector
- Enclosure Heater
- Filter Recoating Adhesive
- Internal corrosion protection
- Lead-Lag Controller
- Lifting Eyes
- Low Airflow Detector
- Low Ambient Kit
- Remote Thermostat Relay
- Replacement Filters
- Side Mounting Rails
- Special materials or finishes
- Special motors, line cords or connectors
- Stainless Steel Shell
- Temperature Alarm

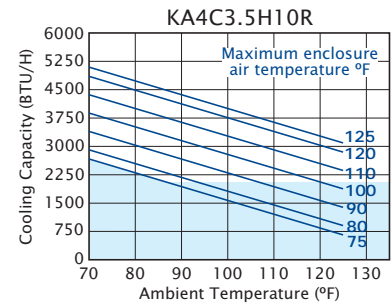


Find additional information on this model at [kooltronic.com](http://kooltronic.com), or use the Technical Documents QR code below.

Technical Documents

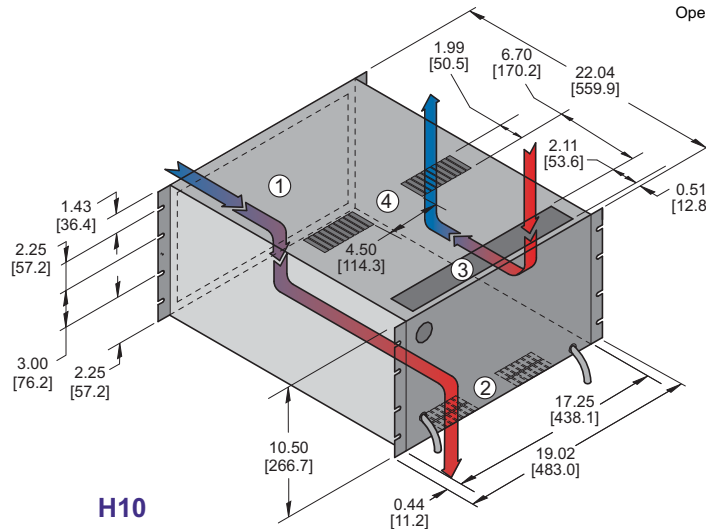


## PERFORMANCE



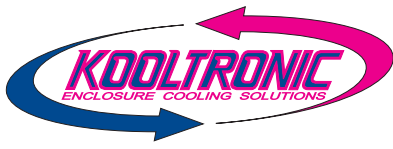
Operation within shaded areas not recommended.

- FILTERED CONDENSER AIR INLET (Ambient Air In)
- CONDENSER OUTLET (Warm Ambient Air Out) 2.25 x 3.38 [57.2 x 85.9] each
- WARM AIR RETURN FROM ENCLOSURE 2.00 x 15.00 [50.8 x 381.0]
- COOL AIR OUTLET TO ENCLOSURE 2.00 x 4.50 [50.8 x 114.3] each



Many popular units are available as 3D solid models for customer system integration. Please contact Kooltronic for details.

All dimensions shown on H10 are typical. Dimensions, inches [mm], are for reference only and subject to change.



# H10 HORIZONTAL RACK-MOUNTED AIR-COOLED AIR CONDITIONERS

## DESCRIPTION

---

KOOLTRONIC **H10 Air-Cooled Rack-Mounted Air Conditioners** are particularly suited for applications where internal horizontal mounting is preferred over external panel, door or top mounting.

Air-cooled models are typically mounted internally at either the top or bottom of the cabinet.

KOOLTRONIC **Rack-Mounted Air Conditioners** all include EIA-notched flanges. Air-cooled models are provided with attractive 19-inch wide stainless steel grilles and knurled captive fasteners for easy removal. Grille area is 65% open. If preferred, side rails can be supplied.

Outdoor or corrosive environments require weather protection and/or special internal and external protective features.

For extreme ambient temperatures and/or severely contaminated environments, the use of **Water-Cooled Air Conditioners** is recommended.

**KOOLTRONIC also designs and manufactures a variety of Air Conditioners to meet unique specifications. We invite your inquiries about our modification and custom-design capabilities.**

## STANDARD FEATURES

---

**BAKED POWDER FINISH:** Durable, baked-on gray powder finish is standard. Other finishes are available.

**BALL-BEARING MOTORS:** All blower motors are UL/CSA Recognized and include automatic-reset thermal overload protection and double-sealed or double-shielded precision ball bearings. Special permanent lubricants perform over a broad temperature range: -20°F [-28.9°C] to 250°F [121.1°C].

**BLOWERS:** All centrifugal blowers are Kooltronic-designed and built, to provide optimum airflow and pressure for each Air Conditioner design.

**CLOSED-LOOP COOLING:** The enclosure interior airflow system is isolated from the ambient airflow system. Ambient air can not invade the cool, dehumidified sensitive component compartment.

**CONDENSATE EVAPORATOR:** Built-in Condensate Evaporator eliminates need for draining condensate under normal operating conditions. May not be adequate in extremely high humidity with open or leaky enclosure. Overflow condensate drain fitting and hose are included.

**FILTERS:** Multi-layer grid of sturdy, corrugated aluminum in an aluminum frame. May be reused after washing off accumulations and spraying with A-16 Recoating Adhesive.

**INSULATION:** All cold components, lines and the evaporator compartment are insulated with high-performance insulation for maximum efficiency.

**LOW TEMPERATURE CONTROL:** Thermostatic Low Temperature Control prevents over-cooling and provides energy-efficient operation.

**POWER:** Available in 115 VAC, 60 Hz or 50/60 switchable and 230 VAC, 50 Hz or 60 Hz.

**POWER CORD:** All models have six foot [1.8m] 3-wire power cord.

**QUALITY ASSURANCE:** Refrigeration system components are kept sealed until charged with refrigerant; all brazed joints are thoroughly leak-tested; each unit is functionally tested before shipment.

**REFRIGERANT:** CFC-free R134a Refrigerant is used in all **H10** Air Conditioners.

**RUGGED CONSTRUCTION:** Precision-engineered heavy gauge steel construction of all shells and blowers insures Air Conditioners will stand up under tough applications.

**UL/CUL RECOGNIZED:** All **H10** models are **UL/CUL Recognized**.

## ACCESSORIES AND OPTIONS\*\*

---

### **FACTORY-INSTALLED OPTIONS:**

**ALUMINUM SHELL:** Where light weight and/or compatibility with appearance of Aluminum Enclosures are required. Unpainted Type 5052 is standard. Other types and ultra-violet-resistant baked powder finish are available.

Append letter "A" to Part No. (5052 Unpainted)

**COMPRESSOR SHORT CYCLE PROTECTOR:** Protects the compressor from possible damage due to harmful short cycling.

Append letter "Y" to Part No.

**ENCLOSURE HEATER:** 120V or 240V fin strip heater, installed singly or ganged, used to maintain desired internal enclosure temperature, under cold operating conditions.

Single Heater, append letter "F" to Part No.

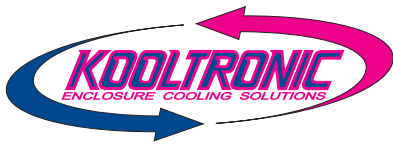
**INTERNAL CORROSION PROTECTION:** For corrosive or other hostile environments, special coating material is applied to copper lines, coils and other parts subject to damage. Also see **Stainless Steel Shell** or **Integrity NEMA 4/4X Air Conditioners**.

Append letter "H" to Part No.

**LIFTING EYES:** Heavy-gauge steel lifting eyes, attached to the side panels, assist in positioning units.

Append letter "K" to Part No.

**\*\*Contact KOOLTRONIC for information.**



# H10 HORIZONTAL RACK-MOUNTED AIR-COOLED AIR CONDITIONERS

## ACCESSORIES AND OPTIONS\*\* (continued)

**LOW AIRFLOW DETECTOR:** Similar to the Airflow Switch shown in the Blower Accessories Section, the switch is installed in a suitable location in the Air Conditioner to detect loss of airflow, and sends a signal to a terminal block, through which user-installed wiring and warning devices are activated.

Append letter "M" to Part No.

**LOW AMBIENT KIT:** Maintains sufficient operating pressures when ambient temperatures drop below 50°F [10°C]. Includes a compressor heater and pressure actuated condenser blower cycling control.

Append letter "N" to Part No.

### SIDE MOUNTING RAILS\*\*

### SPECIAL MATERIALS OR FINISHES\*\*

### SPECIAL MOTORS, LINE CORDS OR CONNECTORS\*\*

**STAINLESS STEEL SHELL:** For applications in corrosive or other hostile environments such as those requiring Internal Corrosion Resistant Coatings, especially where chemical/moisture combinations are present.

Append letter "V" to Part No. (304-2B Unpainted)

**TEMPERATURE ALARM:** A thermostat is mounted inside the cabinet and attached to a sensor in the warm air return. When the air temperature increases to the set point, a signal is sent to a terminal block. User-installed wiring from the terminal block to local and/or remote warning devices (*light, bell, siren, etc.*) can be for normally open or closed operation.

## CUSTOMER-INSTALLED OPTIONS

**FILTER RECOATING ADHESIVE:** This compound is a superior product for recoating filters after washing. The adhesives penetrate dirt layers to keep the filter surface tacky for longer effective performance between washings.

Part No. A-16.

**REPLACEMENT FILTERS:** All KOOLTRONIC filters consist of a multi-layer grid of sturdy corrugated aluminum, securely held in a one-piece aluminum frame. Filters are required wherever air is drawn into an electronics enclosure or related cooling equipment to keep internal parts as clean as possible.

A non-drying adhesive coating traps a high percentage of particulate matter. These filters are reuseable, they may be washed and recoated with the appropriate filter recoating adhesive. Replacements are available for those which become damaged or otherwise non-serviceable.

Part No. 1175F (16.63" x 9.63" x 0.50" [422mm x 244mm x 13mm])

\*\*Contact KOOLTRONIC for information.

## HOW TO ORDER

Specify model number. NOTE: Accessories and Options may affect model number, contact KOOLTRONIC for information.

*For assistance in model selection, refer to the [Air Conditioner Sizing and Selection Guide](#), contact KOOLTRONIC, or use one of our design aid software programs, available FREE.*

CALL 1-800-321-KOOL (5665)  
or FAX 609-466-1114



**POPULAR MODELS ARE STOCKED AND READY TO SHIP**