



Heat Exchangers:

Air-to-Air

» Advantage

TrimLine

Integrity NEMA 4/4X

KHXE

KTHE

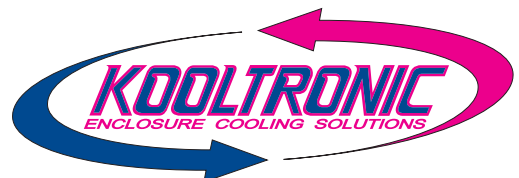
Water-to-Air

KPHE

KNHE NEMA 4/4X



Advantage Series Heat Exchangers



Advantage Series Indoor/Outdoor Air-to-Air Panel-Mounted Heat Exchangers



NEMA
TYPE 3R & 12
MAINTAINED



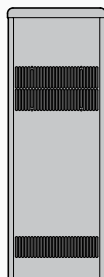
STANDARD FEATURES

- All models UL/CUL Listed
- Exclusive KOOLTRONIC M/TAB mounting system (KXRP33 and KXRP47)
- NEMA 3R and 12 Ratings maintained (UL50)
- Powerful centrifugal blowers and motorized impellers
- Knock-down sheet metal design provides quick access to internal components
- Epoxy-coated convoluted aluminum element
- Surpasses 1000-Hour Salt Spray Testing requirements
- Closed-loop near-ambient cooling
- Rugged heavy duty steel construction with baked powder finish
- Six foot [1.8m] (minimum) 3-wire power cord with plug

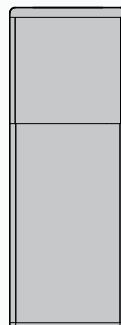
The **Advantage Series** Heat Exchangers are designed for applications where the internal cabinet temperature can be greater than the ambient air. Each unit utilizes a high-efficiency convoluted aluminum heat transfer element. The air leaving the hot enclosure is directed through one side of the exchanger, where the heat passes through the element walls into the ambient-side air stream and is dissipated. Besides offering excellent performance, these elements can be easily removed for cleaning.

Expertly designed and crafted, the Advantage Series boasts a stylish appearance with rounded edges, no visible hardware and a baked powder finish to blend easily with contemporary enclosure designs. Standard features include a heavy-duty painted galvanized steel enclosure, which allows for both indoor and outdoor use with no modifications to the unit. All units meet NEMA 12 and 3R, as well as UL50, requirements.

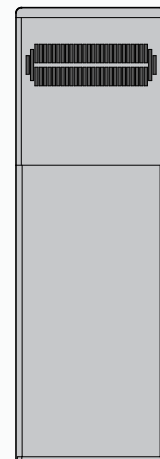
The **Advantage Series** Heat Exchangers are available in three sizes, 28", 33" and 47", with capacities dissipating from 24 to 54 Watts/°F. The KXRP33 and KXRP47 utilize the exclusive Kooltronic M/TAB mounting system.



KXRP28
24 Watts/°F
28"H x 10"W x 8"D

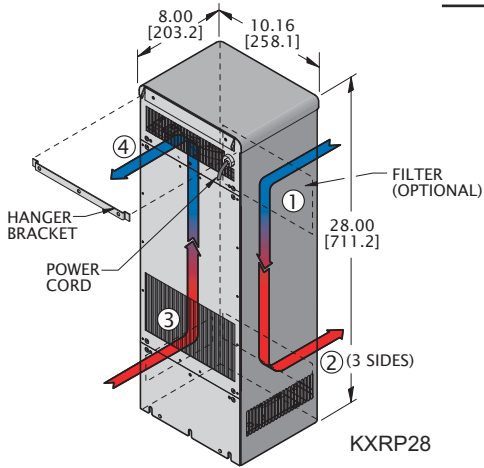


KXRP33
30 Watts/°F
33"H x 12"W x 10"D

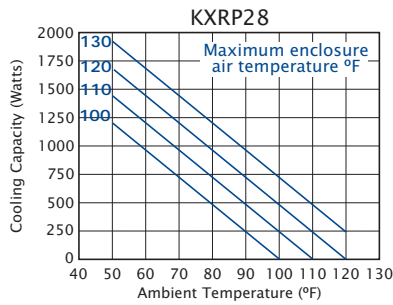


KXRP47
54 Watts/°F
47"H x 15"W x 11"D

Advantage Series Heat Exchangers



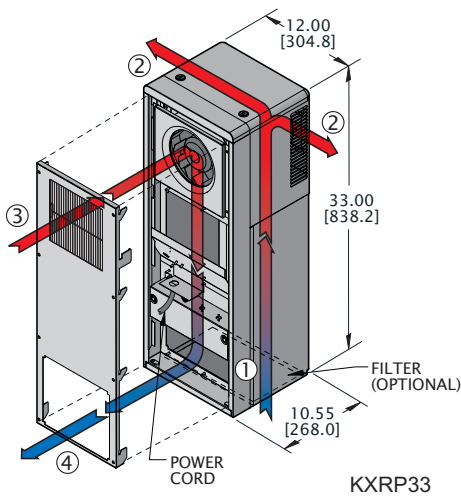
PERFORMANCE CHART*



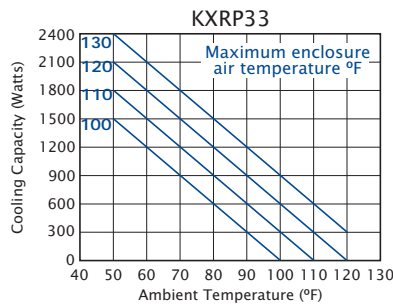
ACCESSORIES AND OPTIONS for KXRP Series

- Filters
- Filter Recoating Adhesive
- Heater Kit
- Other voltages and frequencies
- Special materials or finishes
- Special motors, line cords or connectors

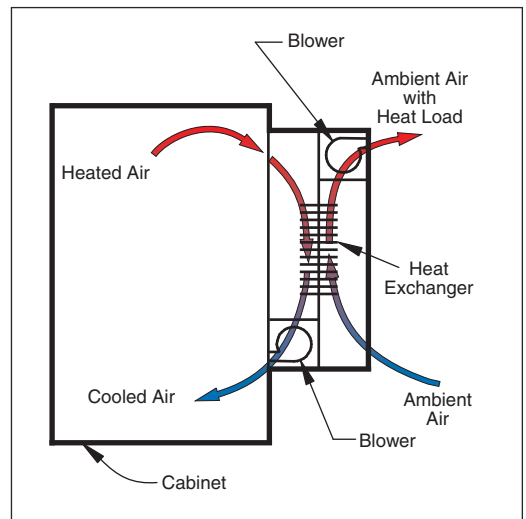
The **KXRP28** dissipates 24 Watts/°F. This model utilizes a hanger bracket for ease of mounting.



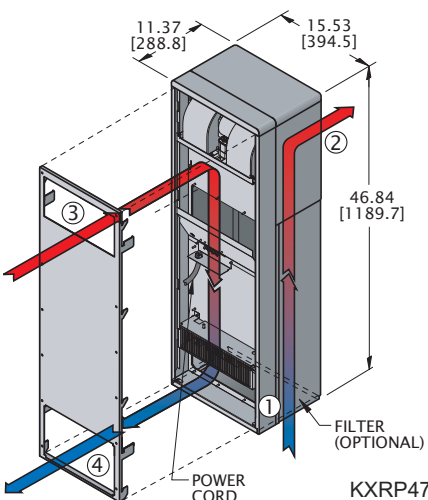
PERFORMANCE CHART*



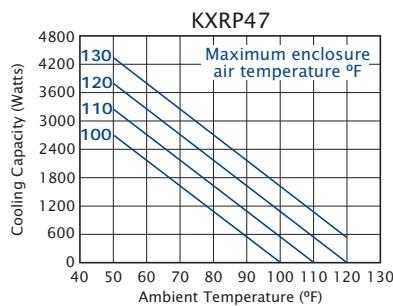
The **KXRP33** dissipates 30 Watts/°F. This model utilizes the Kooltronic M/TAB mounting system.



In an air-to-air heat exchanger, heat from air surrounding the components is removed by a specially designed heat transfer element before being routed back into the enclosure.



PERFORMANCE CHART*



- ① CONDENSER AIR INLET (Ambient Air In)
- ② CONDENSER OUTLET (Warm Ambient Air Out)
- ③ WARM AIR RETURN FROM ENCLOSURE
- ④ COOL AIR OUTLET TO ENCLOSURE

The **KXRP47** dissipates 54 Watts/°F. This model utilizes the Kooltronic M/TAB mounting system.

KOOLTRONIC IS THE BEST CHOICE

KOOLTRONIC Heat Exchangers provide a large heat transfer area in a compact package with high performance air systems for high flow rates and thorough air distribution within the electronics or electrical enclosure.

KOOLTRONIC also designs and manufactures a variety of heat exchangers to meet *unique* specifications. We invite your inquiries about our modification and custom-design capabilities.

kooltronic.com

Dimensions, inches [mm], are for reference only and subject to change.

* 60Hz. operation For 50Hz. operation, consult Kooltronic.

KOOLTRONIC CARRIES A FULL LINE OF AIR CONDITIONERS, HEAT EXCHANGERS, FANS, BLOWERS AND ENCLOSURE ACCESSORIES



Heat Exchangers



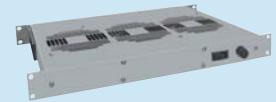
NEMA 4 or 4X Air Conditioners
(480 Volt models available)



NEMA 12 Filter Fans



NEMA 4 or 4X Filter Fans



Fantrays



Basic Blowers and Packaged Blowers

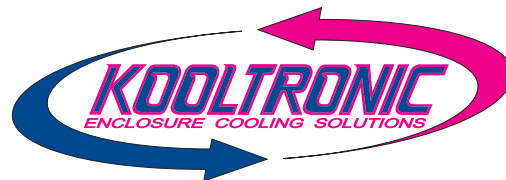


Custom Design



Enclosure Accessories

With over 60 years of service to its customers, Kooltronic is the leading manufacturer of air conditioners, heat exchangers, fans and blowers designed specifically to cool the interiors of enclosures containing heat sensitive components. We operate a complete manufacturing facility and sales office at our headquarters in Pennington, NJ.



Corporate Headquarters:

30 Pennington-Hopewell Road
Pennington, New Jersey 08534
Phone: (609) 466-3400

sales@kooltronic.com

kooltronic.com



Scan with your smart phone
to visit kooltronic.com

