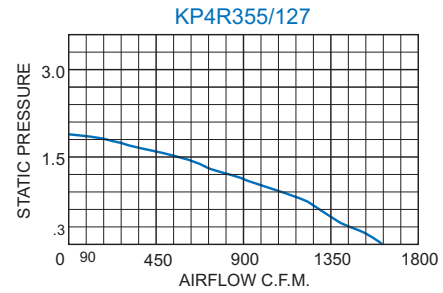


KP4R355/127 PAGODA SERIES PACKAGED IMPELLER BLOWERS



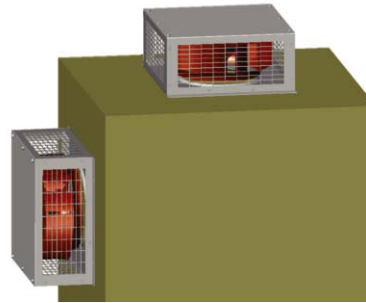
Airflow vs. static pressure curve is shown for 60 Hz. Static pressure is in inches of water.

PERFORMANCE GRAPHS



STANDARD FEATURES

- Baked Powder Finish
- Ball-bearing motors
- Capacity 1615 CFM
- Compact size
- Heavy-gauge steel shell
- Integral finger guards
- Low noise level
- Occupies no internal cabinet space
- Precision balanced external rotor design
- Three foot [0.9m] (minimum) 3-wire power cord



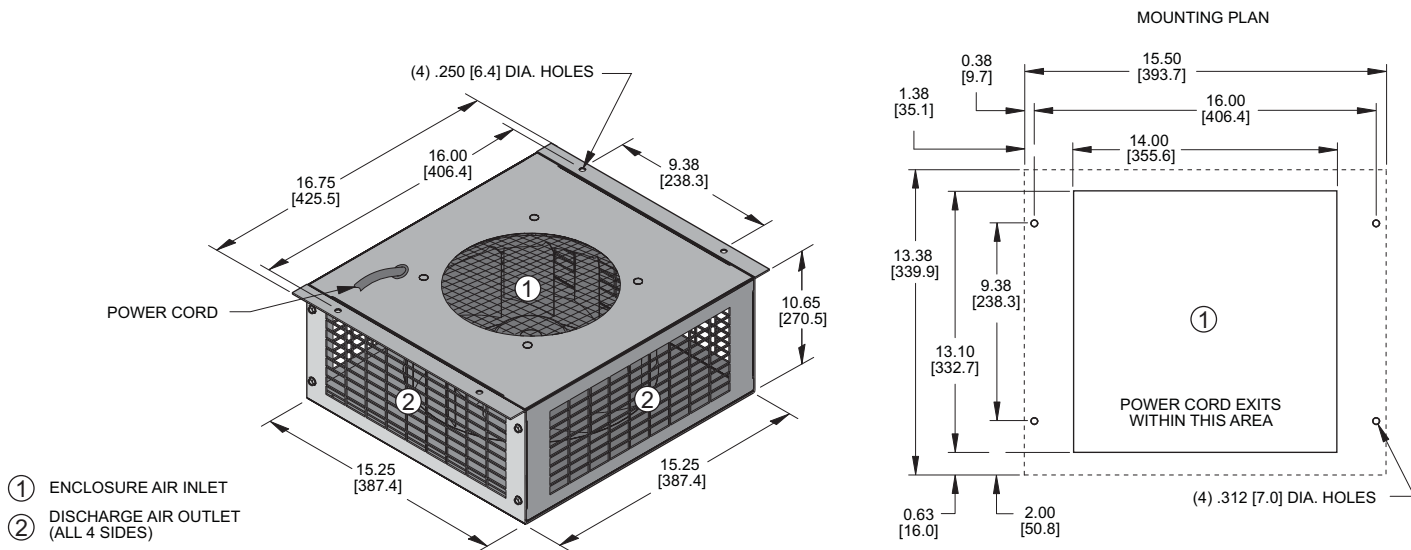
Versatile Mounting:
Mount on cabinet's top,
side or even bottom.

TECHNICAL DATA*

Model	Type	CFM @ 0" S.P.	Cutoff S.P.	dBA	Amps	Watts	Approximate Weight	
							Lbs.	Kg.
KP4R355/127	4-Pole	1615	1.93	74.0	4.00	450	36	16.3

* 115V, 60 Hz. operation

DIMENSIONS inches [metric]



Dimensions, inches [metric], are for reference only and subject to change.

HOW TO ORDER

Specify model number.



kp4r355/127 pagoda.qxd (7/20/21) (CDR: 20336)