

# KSEHT ELECTRIC FAN HEATER WITH THERMOSTAT

## DESCRIPTION

Compact high-performance fan heaters prevent formation of condensation, providing an evenly distributed interior air temperature in electrical enclosures, increasing component reliability.

These heaters feature brushed metal housings and include an auto fan control switch to prolong motor life. A pilot light indicates "Heat On" condition.

### Applications:

- Electrical & Electronic Enclosures
- Telecommunications Systems
- Display Panels
- Personnel Environmental Booths
- Automatic Teller Machines (ATM's)
- Access & Parking Control Systems
- Ticket Dispensers



Model	Voltage	Hz.	Heating		Dimensions		Weight lbs.
			Power (Watts)*	Airflow CFM**	(HxWxD) (Inches)		
KSEHT125	115	50/60	125	16	5.5x4.0x4.5	1.8	
KSEHT200	115	50/60	200	16	5.5x4.0x4.5	1.8	
KSEHT400	115	50/60	400	26	7.5x4.0x4.5	3.0	
KSEHT800	115	50/60	800	26	7.5x4.0x4.5	3.0	
K2SEHT125	230	50/60	125	16	5.5x4.0x4.5	1.8	
K2SEHT200	230	50/60	200	16	5.5x4.0x4.5	1.8	
K2SEHT400	230	50/60	400	26	7.5x4.0x4.5	3.0	
K2SEHT800	230	50/60	800	26	7.5x4.0x4.5	3.0	

\* At 50°F.

\*\* Free blowing.

## TECHNICAL DATA

Overheat protection:	Built-in temperature limiter
Operating Temperature Range:	-4°F to 104°F
Housing:	Brushed metal housing
Connection:	3-pole terminal, AWG 14 max. (2.5 mm <sup>2</sup> )
Mounting:	Screws (not included)
Mounting position:	Vertical

UL Recognized File number E358386 series 801.

## STANDARD FEATURES

- Designed to prevent condensation or maintain a minimum temperature inside an electrical enclosure
- Built-in thermostat (settings from 0°F to 100°F)
- Brushed metal housing
- Includes an auto fan control switch to prolong motor life
- Low weight and low maintenance
- Designed for easy panel mounting
- Pilot light for "Heat On" indication
- Integrated overheat protection



## DIMENSIONS

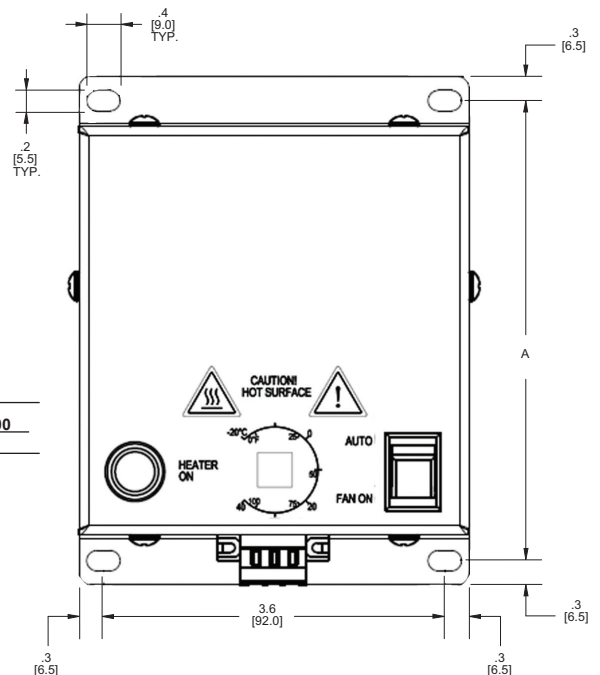
	KSHET 125/200	KSHET 400/800
A	5 [127.0]	7 [177.8]

## HOW TO ORDER

Specify model number.

## DRAWINGS

Dimensions, inches [mm], are for reference only and are subject to change.



Find additional information on this model at [kooltronic.com](http://kooltronic.com), or use the Technical Documents QR code below.

Technical Documents



Specifications are subject to change without notice. Suitability of this product for its intended use and any associated risks must be determined by the end customer/buyer in its final application.

kseht.qxd (1/25) (CDR: 20618)