



ELECTRONIC RELAY

These models are used to control DC powered devices with high capacities in control and switch cabinets. They are controlled via an external potential-free contact (thermostat or hygrostat), which is connected between terminal 3 and 4. It must be ensured that the external contact is suitable to switch the required signal current without any problems.



STANDARD FEATURES

- High DC switching capacity
- Variety of applications
- Wide DC voltage range
- Simple connection



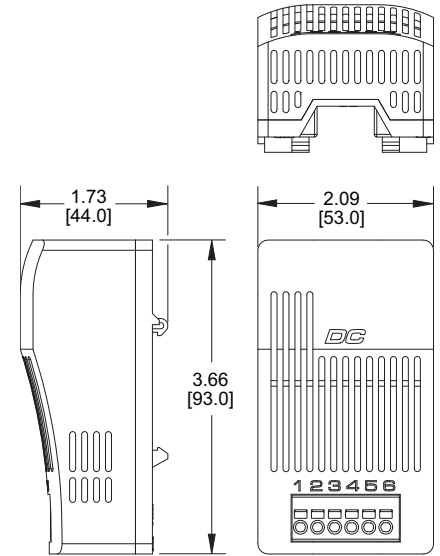
Model No.	Voltage	Max. switching capacity	Operating Temperature
KS8ER15 (Switch Module Relay)	20-56VDC	15A (resistive load)	-22°F to 104°F (-30°C to 40°C)
KS8ER13 (Switch Module Relay)	20-56VDC	13A (resistive load)	-22°F to 122°F (-30°C to 50°C)
KS8ER11 (Switch Module Relay)	20-56VDC	11A (resistive load)	-22°F to 140°F (-30°C to 60°C)

TECHNICAL DATA

- Contact type: Contact maker normally open (MOSFET)
- Service life: > 100,000 cycles
- Operating voltage: DC 20 to 56 V
- Control contact - Signal Current: 3 mA at DC 20 V / 4.5 mA at DC 24 V
14 mA at DC 48 V / 17 mA at DC 56 V
- Connection: 6-pole terminal: stranded wire¹ AWG 16 (1.5 mm²)
max. AWG 12 (2.5 mm²)
- Mounting: Clip for 35 mm DIN rail (EN 60715)
- Housing: Plastic, UL94V-0, gray (bicolor)
- Dimensions: 3.7 x 2.1 x 1.7 inches (93 x 53 x 44 mm)
- Weight: Approx. 2.3 oz. (65 g)
- Mounting position: Vertical
- Operating temperature: See table above
- Storage temperature: -40°F to 176°F (-40°C to 80°C)
- Operating/Storage humidity: max. 90% RH (non-condensing)
- Protection type: IP 20
- Approvals: UL File No. E342261, VDE, EAC
- Note: Other versions on request

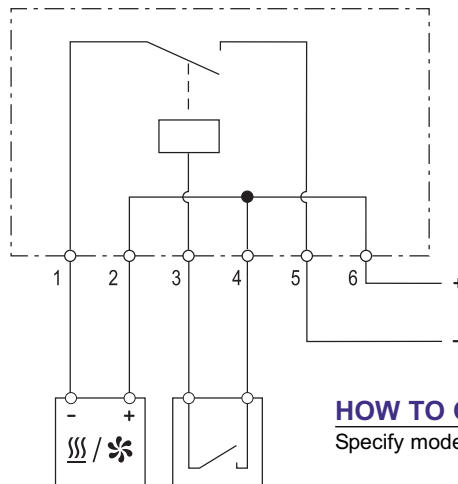
DRAWINGS

Dimensions, inches [mm], are for reference only and are subject to change.



Wiring Diagram

¹ When connecting with stranded wires, wire end ferrules must be used.

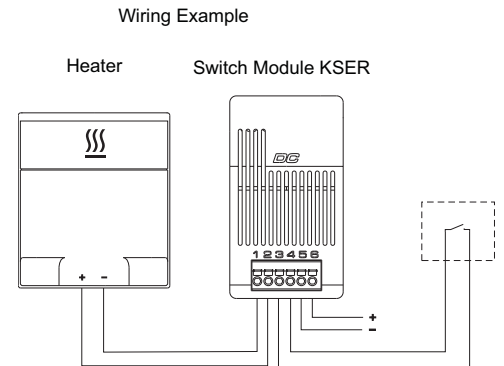


Find additional information on this model at kooltronic.com, or use the Technical Documents QR code below.

Technical Documents



HOW TO ORDER
Specify model number.



Specifications are subject to change without notice. Suitability of this product for its intended use and any associated risks must be determined by the end customer/buyer in its final application.

kser-update.qxd (2/17/21) (CDR: 20309)