

OUTDOOR FILTER FAN AND EXHAUST PACKAGE

These units are discontinued, and this information is presented for reference purposes only.
Recommended replacement: See *Guardian/GuardianX Series Filter Fans*.

These indoor/outdoor Filter Fan and Exhaust Packages are used in enclosures to dissipate heat harmful to sensitive electronic components. The fans feature a filter that is easily changed by opening the lockable door of the outdoor hood. IP55 protection is reached by the specially-designed hood and the use of special filters. The plastic casing is impact-resistant, weather-proof and UV resistant.



Model No.	Filter Fan	Exhaust Filter	Voltage	Hz	Current Consumption	Power Consumption	EMC Version
KSFF/E	✓		120 VAC	60	180mA	15W	✓
K2SFF/E	✓		230 VAC	50	100mA	15W	✓
KSEF/E		✓					✓

TECHNICAL DATA

FILTER FANS

Filter mat: Fine Grade 360g/m², filtering degree 98%
particle Ø > 10 µm, F5 (EN779)
Airflow - free blowing: 11.8 cfm (20 m³/h)
Note: Airflow increases by approximately 15% for 120 V/60 Hz models
Average noise level at 3 ft.
(DIN EN ISO 9614-2): 40 dB (A)
Mounting depth: 2.4 in (62.0mm)
Enclosure cut-out: 4.9 x 4.9 in (125 x 125mm + 0.4)
Approx. weight: 2.6 lbs (1.2kg)
Protection type: IP 55
Axial fan: Ball bearing, aluminum frame, plastic impeller - UL 94V-0
Filter fan housing: Plastic ASA, UL 94HB, light grey, temperature resistant -31 to 194°F.
Mounting frame: Double-sided industrial adhesive tape for affixing to the outside of enclosures

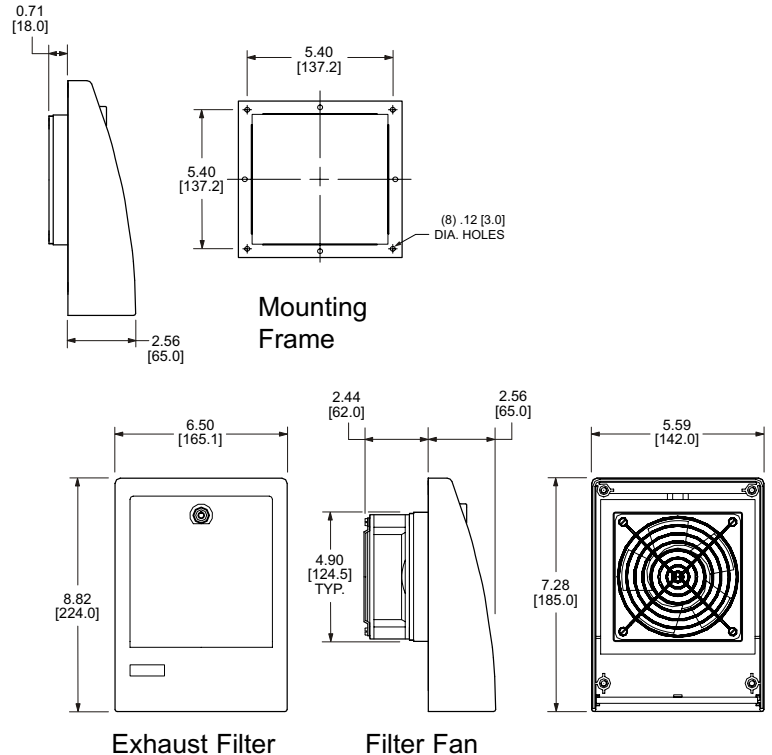
EXHAUST FILTER (KS481F)

Filter Mat: Fine grade 360 g/m², filtering degree 98%
particle Ø > 10 µm, F5 (EN779)
Size: 4.6 x 4.6 in (118 x 118mm)

Replacement filter:
Filter Mat (F5) 122 x 122mm Fine Grade:
Part Number: **KS481F** (package of 3)

DRAWINGS

Dimensions, inches [mm], are for reference only and are subject to change.



Specifications are subject to change without notice. Suitability of this product for its intended use and any associated risks must be determined by the end customer/buyer in its final application. ksff-d.qxd (2/2/19) (CDR:20293)