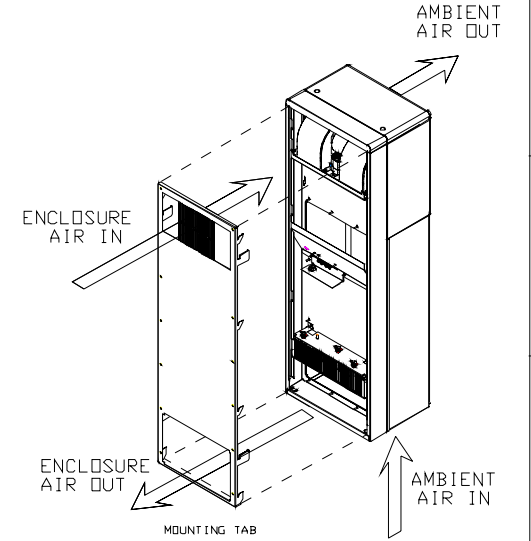
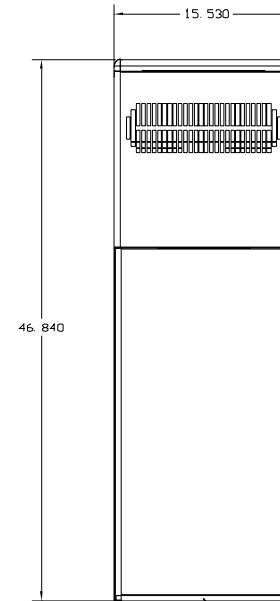
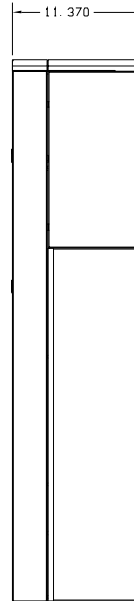
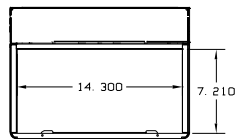
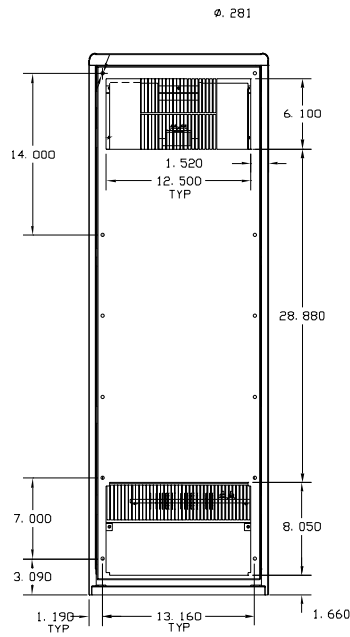
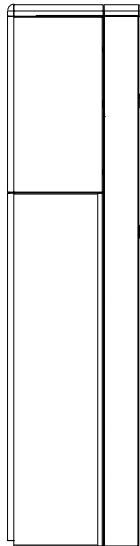
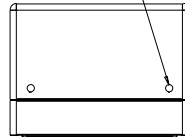


THIS DOCUMENT IS THE PROPERTY OF KOOLTRONIC, INC. AND CONTAINS PROPRIETARY AND CONFIDENTIAL INFORMATION WHICH MUST NOT BE DUPLICATED, USED OR DISCLOSED TO OTHERS, EXCEPT AS EXPRESSLY AUTHORIZED IN WRITING BY KOOLTRONIC, INC.

REVISIONS				
REV	NOTICE	DESCRIPTION	DATE	APPROVED
1	ER 02/003	NEW DRAWING RELEASE	1/9/02	JS

(2) PLUG BUTTONS PROVIDE ACCESS FOR TOP SECTION REMOVAL



ISD VIEW SCALE .125=1

ALL DIMENSIONS ARE IN INCHES. DIMENSIONS DESIGNATED MM ARE IN MILLIMETERS.				 HOPEWELL, NJ VENTURA, CA USA	
UNLESS OTHERWISE SPECIFIED, TOLERANCES ARE AS FOLLOWS:		DESIGN	DATE		
FR. ON	INCHES	JERRY STEDNECK	1/9/02	TITLE GENERAL ARRANGEMENT HEAT EXCHANGER	
XX	± .001	CHECKED			
XXX	± .010	ENG. BORIS MUZIKANT	1/9/02		
ANGULAR	± 1/2°	MFG. ENG.			
MATERIAL		DATE (REV. NO.) SIZE		DWG. NO.	
UNIT		APPROVED		210047-00-00	
KXRP47R				06223 D 210047-00-00	
				SCAL: E1075-1 CAD. REF	
				SHEET 1 OF 1	