

INTEGRITY 21 AIR-COOLED PANEL-MOUNTED AIR CONDITIONERS

Legacy products are no longer in normal production. Consult factory for availability. Recommended replacement: See *Guardian/GuardianX* or *SlimKool Series*.



NEMA
TYPE 4/4X
MAINTAINED



TECHNICAL DATA

Model	NEMA Rating	UL/CUL Listed or Recognized	BTU/H Capacity	95/95 Rating BTU/H	Ambient Temp		Volts	Hz	Running Amps	Approx. Weight	
					°F Max./Min.	°C Max./Min.				lbs	kg
KNA4C3P21L	4/4X	Listed	3000	2260	125/0	52/-17	115	60	9.3	76	35
K2NA4C3P21L	4/4X	Listed	3000	2160	131/0	55/-17	230	60	4.7	76	35

Rating shown is for operation at maximum ambient temperature.

STANDARD FEATURES

- Baked Powder Finish
- CFC-Free Refrigerant
- Closed-Loop Cooling
- Compressor Short Cycle Protector
- Condenser Impeller Speed Controller
- Filter
- NEMA 12 & 4/4X Ratings Maintained (UL50)
- Programmable Temperature Alarm
- Programmable Thermostat
- Stainless Steel Shell (304-2B)
- UL/CUL Listed

Many popular units are available as 3D solid models for customer system integration. Please contact Kooltronic for details.

Find additional information on this model at kooltronic.com, or use the Technical Documents QR code below.

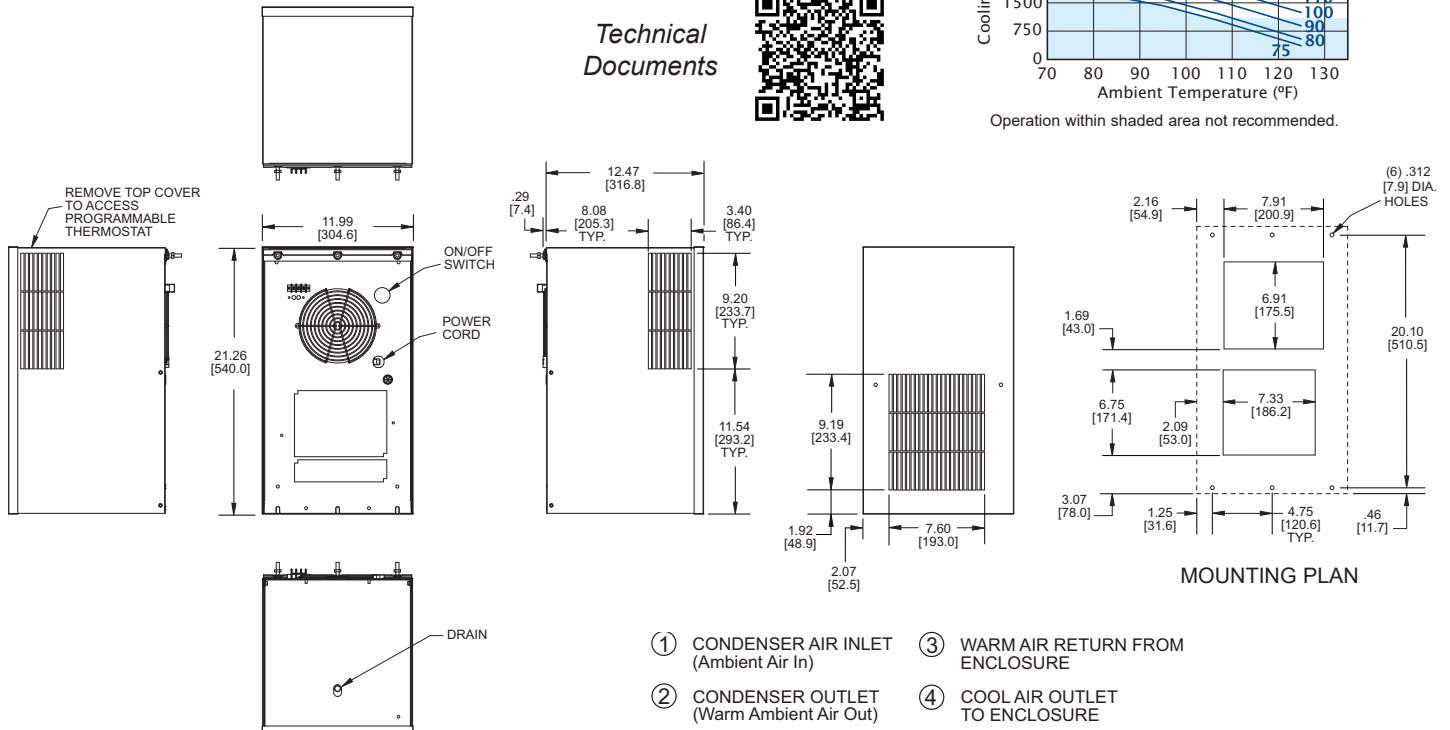
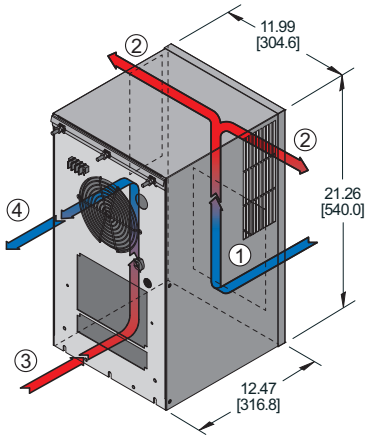
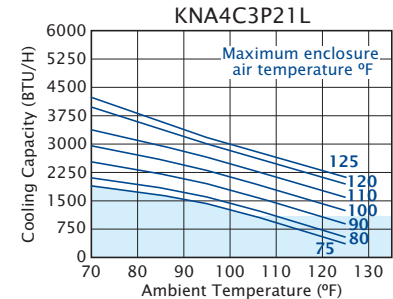
Technical Documents



ACCESSORIES AND OPTIONS

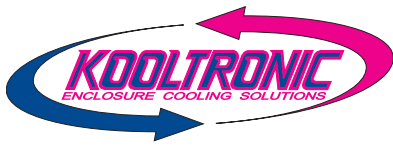
- Enclosure Heater
- Filter Recoating Adhesive
- Internal Corrosion Protection
- Remote Monitoring
- Remote Thermostat Relay
- Replacement Filters
- Special materials or finishes
- Special motors, line cords or connectors

PERFORMANCE



Dimensions, inches [mm], are for reference only and subject to change.

nema4x21.qxd (10/23) (CDR: 20532)



INTEGRITY 21 AIR-COOLED PANEL-MOUNTED AIR CONDITIONERS

DESCRIPTION

Designed specifically for NEMA 4/4X Enclosure applications that require washdown or are subject to outdoor storm conditions, KOOLTRONIC *Integrity NEMA 4/4X Air Conditioners* protect the ratings of NEMA 4/4X Enclosures.

These exclusive **patented** UL/CUL Listed Panel-Mounted Air Conditioners provide superior closed-loop cooling and also protect against the hazards specified for both Indoor and Outdoor NEMA 4/4X Enclosures. Tested and rated by universally recognized Underwriters Laboratories, these uniquely-designed **304-2B Stainless Steel** Air Conditioners prevent unwanted environmental penetration of NEMA 4/4X Enclosures as they provide a clean, cool internal environment.

For extreme ambient temperatures and/or severely contaminated environments, the use of *Water-Cooled Air Conditioners* is recommended.

KOOLTRONIC also designs and manufactures a variety of Air Conditioners to meet *unique* specifications. We invite your inquiries about our modification and custom-design capabilities.

FEATURES AND BENEFITS (STANDARD)

All models UL/CUL Listed, a standard of safety.

Ball bearing motors feature double-sealed or double shielded precision ball bearings.

CFC-free refrigerant provides a zero ozone depletion potential.

Closed-loop cooling provides stable temperature control while excluding dust and humidity.

Compressor short-cycling protection extends compressor life.

Condenser impeller cycling provides stable capacity and temperature control.

NEMA 4/4X rating maintained (UL50).

Programmable temperature alarm to alert if early action required.

Programmable thermostat capable of remote monitoring and control.

Stainless steel shell for NEMA 4X corrosive environments.

Temperature alarm to alert if early action required.

FEATURES AND BENEFITS (OPTIONAL)*

Internal corrosion protection to increase reliability in hostile environments.

Remote monitoring for off-site checking via programmable thermostat.

Remote thermostat relay for control by a user-supplied control system.

Special paint finishes.

*Contact KOOLTRONIC for more information.

REPLACEMENT FILTERS

The Integrity 21 filter Part Number is 9501F (9.50" x 10.50" x 0.38" [241mm x 267mm x 10mm])

