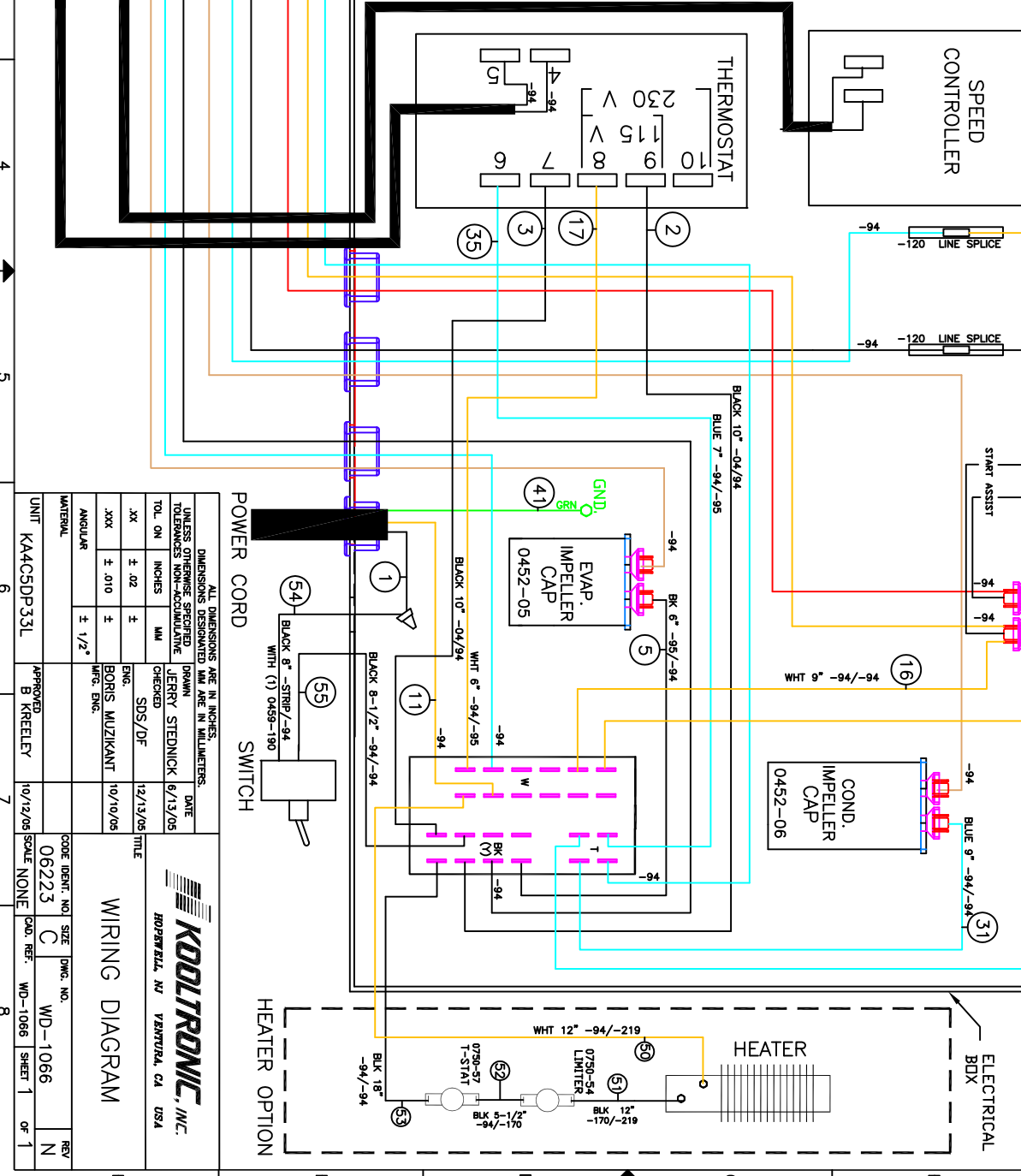
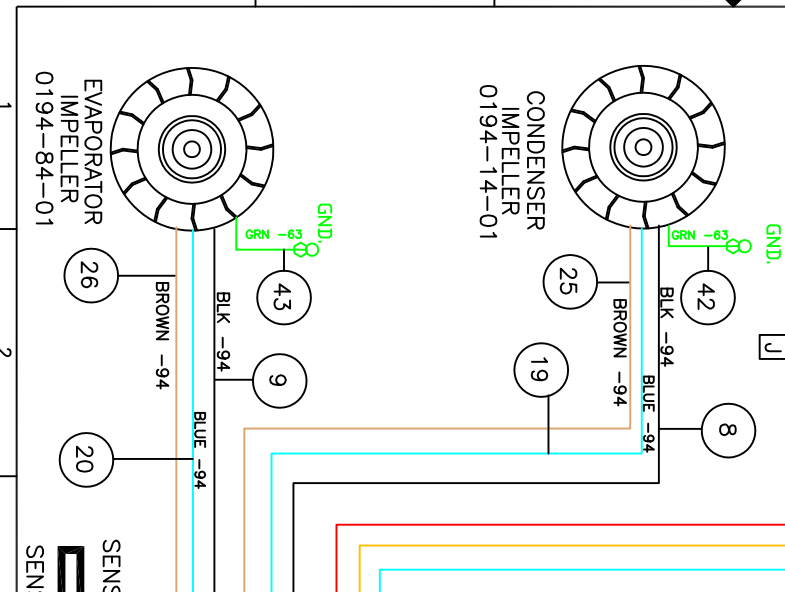
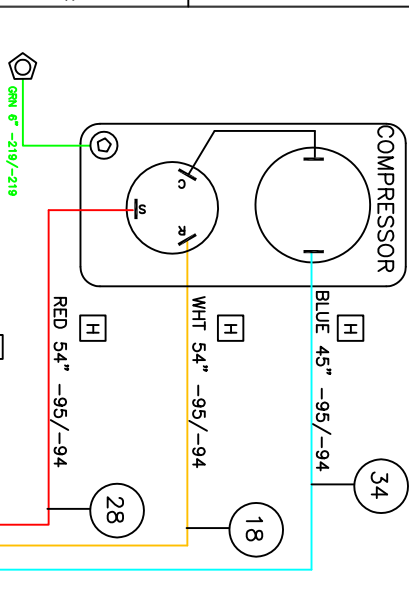
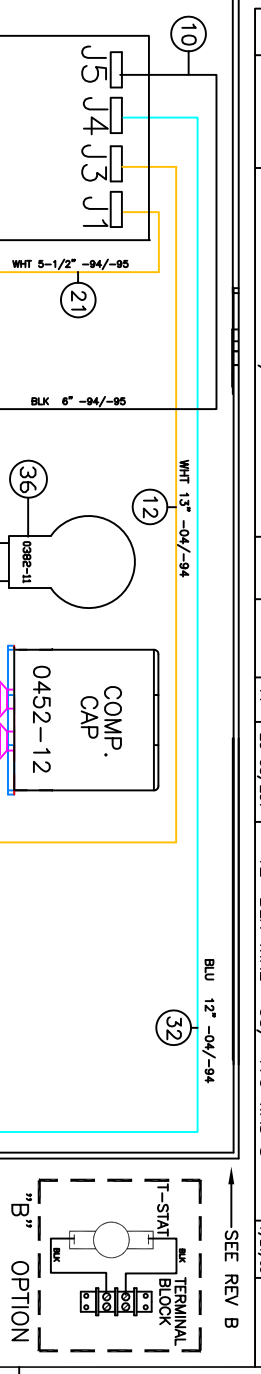


SWM	NOTICE	DATE	APPROVED	SDS	SWM	NOTICE	DATE	APPROVED	SDS
C	ADDED -46 TERMINAL TO WHT P/N'S #10, #12, #21, #32	12/2/05							
D	BLK 12" -170/-219 WAS -170/-05 WHT 12" -94/-219 WAS -94/-05	3/1/06							
E	ADDED "B" OPTION (COOLING EFFECT DETECTOR)	9/29/06							
F	ADDED -95 TERMINAL TO 6" BLK WIRES 5 & 10	1/19/07							
G	ADDED 0392-11 (RESISTOR - PTC START ASSIST)	2/26/07							
H	ADDED 07/0236 (COMPRESSOR WIRES VIKES VIKES BLU 3"	4/26/07							
J	ADDED -44 TERMINAL TO WIRES 4 & 9 WHT 3" & 10" & 12" & 18"	6/19/07							
K	ADDED 09/006 (REVISED IMPELLER TERMINATION ASSY P/N'S, TERMINAL TO -54 WIRES 12 & 30 CHRG -54 TERMINAL TO -55	8/2/09							
L	REMOVED GREEN GROUND WIRE ON COMPRESSOR	3/11/13							
M	ADDED GREEN GROUND WIRE ON COMPRESSOR	3/11/13							
N	REMOVED SURGE SUPPRESSOR	9/26/12							

SWM	NOTICE	DESCRIPTION	DATE	APPROVED	SDS	SWM	NOTICE	DATE	APPROVED	SDS
B	EC 05/392	33" BLU WIRE -95/-94 WAS 28" 38" WHT WIRE -95/-94 WAS 33" 38" RED WIRE -95/-94 WAS 33"	10/6/05							
						A	EC 05/297	12" BLK WIRE -05/-170 WAS 8"	6/29/05	JS
									7/21/08	SDS



UNLESS OTHERWISE SPECIFIED DIMENSIONS DESIGNATED MM ARE IN MILLIMETERS.		DIMENSIONS DESIGNATED MM ARE IN MILLIMETERS.	
TOL. ON INCHES	MM	DRAWN	DATE
.XX ± .02	±	JERRY STEDNICK	6/13/05
.XXX ± .010	±	CHECKED	SDS/DF
ANGULAR ± 1/2°	±	ENG.	BORIS MUZIKANT
		WFO. ENG.	10/10/05

UNIT	SCALE	TITLE
KA4CSDP33L	NONE	WIRING DIAGRAM

CODE IDENT. NO.	SIZE	DWG. NO.	REV
06223	C	WD-1066	N

CAD. REF.	WID-1066	SHEET	OF
		1	1