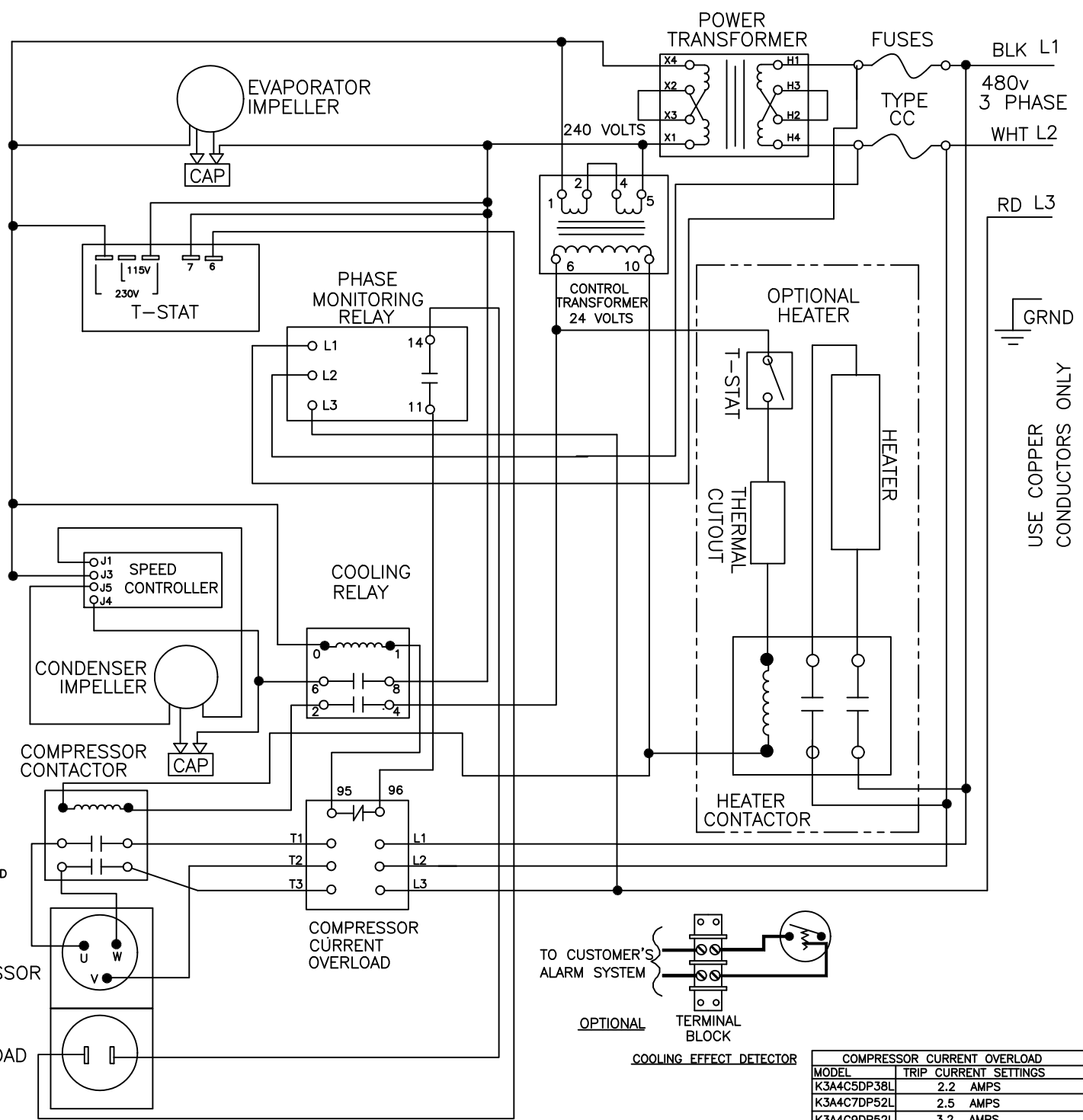


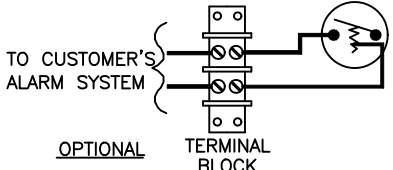
THIS DOCUMENT IS THE PROPERTY OF KOOLTRONIC, INC. AND CONTAINS PROPRIETARY AND CONFIDENTIAL INFORMATION WHICH MUST NOT BE DUPLICATED, USED OR DISCLOSED TO OTHERS, EXCEPT AS EXPRESSLY AUTHORIZED IN WRITING BY KOOLTRONIC, INC.

REVISIONS

SYM	NOTICE	DESCRIPTION	DATE	APPROVED
-	P3579	PRELIMINARY DRAWING RELEASE	10/20/05	JS



COMPRESSOR MOTOR PROTECTED UNDER PRIMARY SINGLE PHASING CONDITIONS



COMPRESSOR CURRENT OVERLOAD	
MODEL	TRIP CURRENT SETTINGS
K3A4C5DP38L	2.2 AMPS
K3A4C7DP52L	2.5 AMPS
K3A4C9DP52L	3.2 AMPS

ALL DIMENSIONS ARE IN INCHES, DIMENSIONS DESIGNATED MM ARE IN MILLIMETERS.

UNLESS OTHERWISE SPECIFIED TOLERANCES NON-ACCUMULATIVE			DRAWN	DATE
			JERRY STEDNICK	10/20/05
TOL. ON	INCHES	MM	CHECKED	
.XX	± .02	±	JS/RDM	5/1/06
.XXX	± .010	±	ENG.	
			JTM	5/5/06
			MFG. ENG.	
ANGULAR		± 1/2°		
MATERIAL				
UNITS			APPROVED	
DP SERIES 3PHASE			B KREELEY	5/10/06

**KOOLTRONIC, INC.**  
 HOPEWELL, NJ VENTURA, CA USA

WIRING DIAGRAM

CODE IDENT. NO.	SIZE	DWG. NO.	REV
06223	A	WD-1111	-
SCALE	CAD. REF.	SHEET	1 OF 1
N/A	WD-1111		