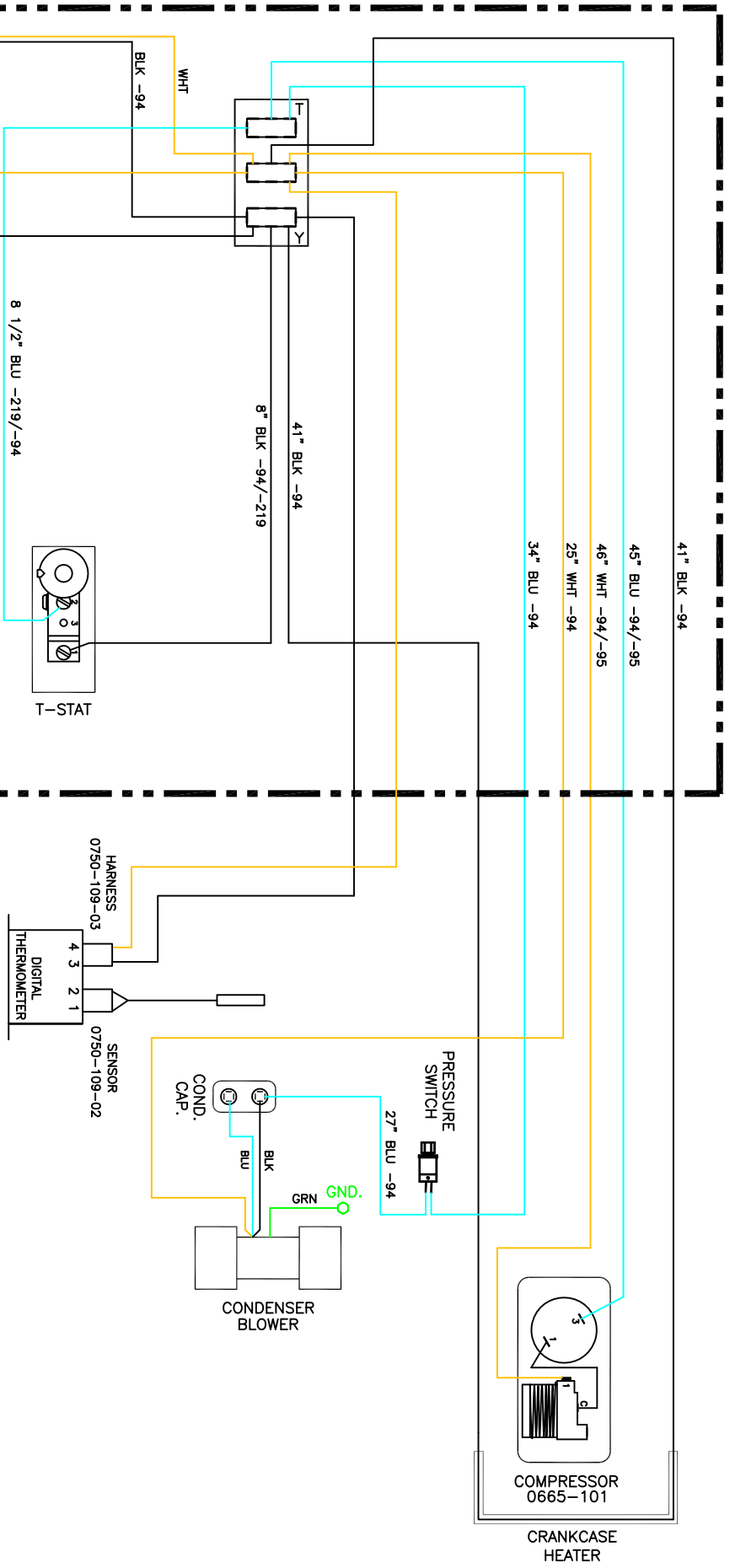
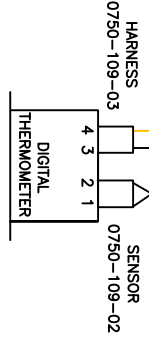


REVISIONS		DATE	APPROVED
SWM	NOTICE		
-	EC 05/414	11/1/06	DM-
A	EC 06/443	12/29/06	RM
B	EC 06/017	2/19/07	SS
C	EC 14/170	6/30/14	W/



DIGITAL THERMOMETER 0750-110-01 (230V)
 DIGITAL THERMOMETER 0750-109-01 (115V)



KOOLTRONIC, INC.
 HOPWELL, NJ VENTURA, CA USA

WIRING DIAGRAM

CODE IDENT. NO.	SIZE	DWG. NO.	REV
06223	C	WD-1113	C
CAD. REF.	WD-1113	SHEET	1 OF 1

DATE	11/1/06
DATE	12/29/06
DATE	2/19/07
DATE	6/30/14

DATE	11/1/05
DATE	1/11/05
DATE	1/19/06
DATE	1/23/06

UNLESS OTHERWISE SPECIFIED	DRAWN	D. WALDRON
TOLERANCES NON-ACCUMULATIVE	CHECKED	S. SCHMIERER
XX ± .02	ENG.	CV
.XXX ± .010	MFG. ENG.	
ANGULAR ± 1/2°		

ALL DIMENSIONS ARE IN INCHES.	DATE	1/27/06
DIMENSIONS DESIGNATED MM ARE IN MILLIMETERS.	APPROVED	B. KREBLEY
UNITS	KAACARP33R	