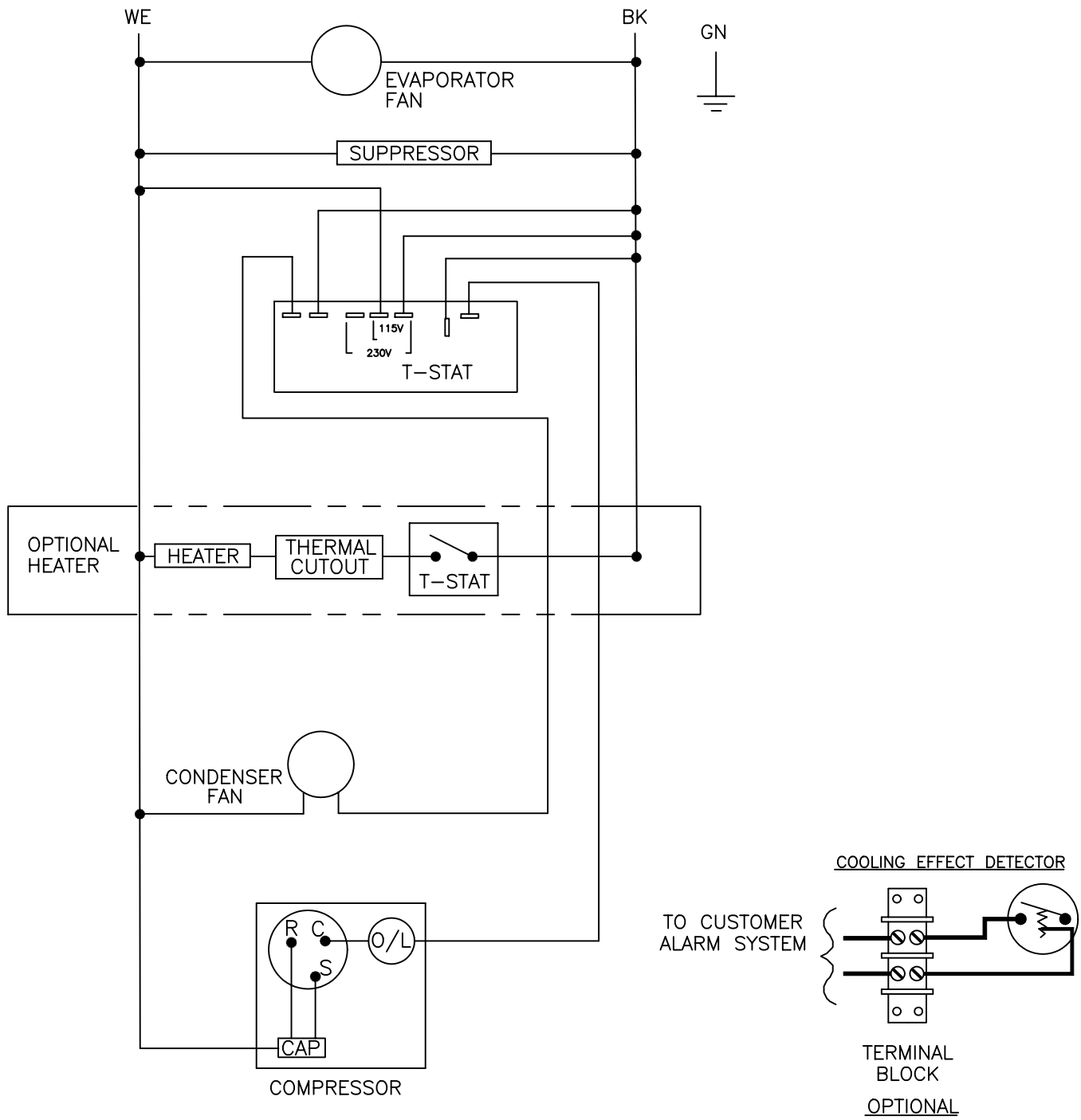


THIS DOCUMENT IS THE PROPERTY OF KOOLTRONIC, INC. AND CONTAINS PROPRIETARY AND CONFIDENTIAL INFORMATION WHICH MUST NOT BE DUPLICATED, USED OR DISCLOSED TO OTHERS, EXCEPT AS EXPRESSLY AUTHORIZED IN WRITING BY KOOLTRONIC, INC.

REVISIONS

SYM	NOTICE	DESCRIPTION	DATE	APPROVED
-	ER 06/001	NEW DRAWING RELEASE	1/4/06	JS



ALL DIMENSIONS ARE IN INCHES,
DIMENSIONS DESIGNATED MM ARE IN MILLIMETERS.



UNLESS OTHERWISE SPECIFIED TOLERANCES NON-ACCUMULATIVE			DRAWN JERRY STEDNICK	DATE 1/2/06
TOL. ON	INCHES	MM	CHECKED	
.XX	± .02	±	ENG.	
.XXX	± .010	±	BORIS MUZIKANT	1/2/06
ANGULAR		± 1/2°	MFG. ENG.	
MATERIAL			APPROVED	
UNITS	KA4C2DP17L			

WIRING DIAGRAM

CODE IDENT. NO. 06223	SIZE A	DWG. NO. WD-1132	REV -
SCALE N/A	CAD. REF. WD-1132	SHEET 1 OF 1	