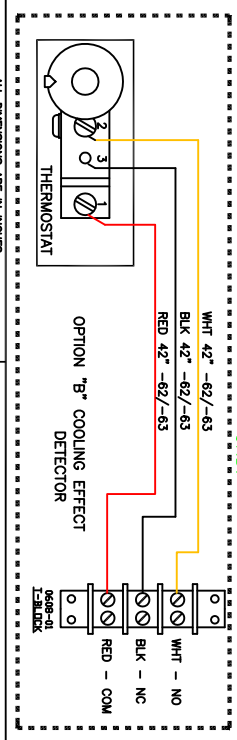
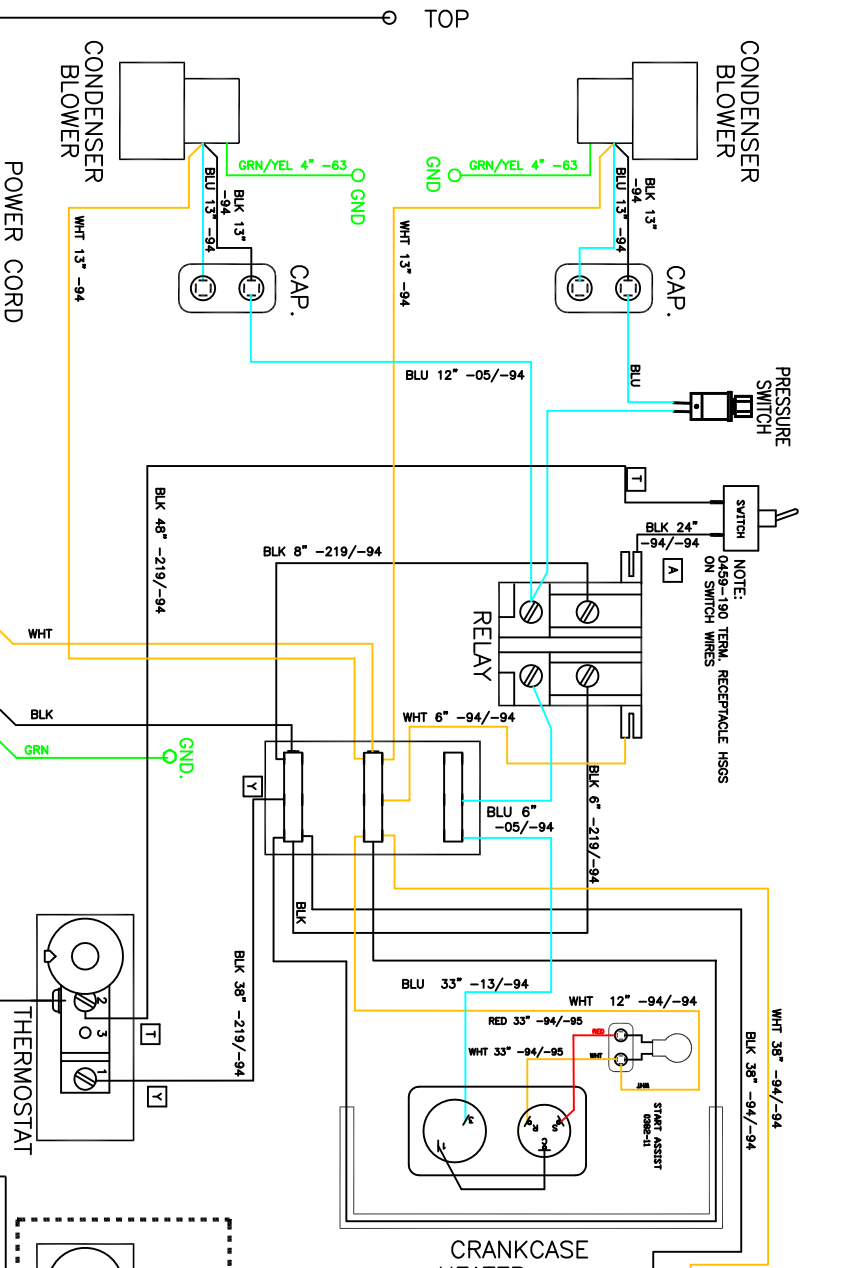


THIS DOCUMENT IS THE PROPERTY OF KOOLTRONIC, INC. AND CONTAINS PROPRIETARY AND CONFIDENTIAL INFORMATION WHICH MUST NOT BE DUPLICATED, USED OR DISCLOSED TO OTHERS, EXCEPT AS EXPRESSLY AUTHORIZED IN WRITING BY KOOLTRONIC, INC.



REVISIONS				
SYM	NOTICE	DESCRIPTION	DATE	APPROVED
-	ER 08/072	NEW DRAWING RELEASE	9/29/08	RDM
A	EC 10/062	REPLACE WIRE	12/21/10	DW-
B	EC 14/170	REMOVED SURGE SUPPRESSOR	7/15/14	LM/

ALL DIMENSIONS ARE IN INCHES. DIMENSIONS DESIGNATED MM ARE IN MILLIMETERS.

TOLERANCES UNLESS SPECIFIED	DRAWN	DATE	
FRACTIONS	R.D.MOORE	9/23/08	
TOL. ON INCHES	CHECKED		
MM	JERRY STEINICK	9/29/08	
.XX	ENG.	JIM DISTLER	9/9/08
± .010	WFR. ENG.		
±			
ANGULAR			
± 1/2°			

KOOLTRONIC, INC.
ROPERVILLE, NJ VERBODIA, CA USA

WIRING DIAGRAM
AIR CONDITIONER

CODE IDENT. NO.	SIZE	DWG. NO.	REV.
06223	B	WD-1258	B
CAD. REF.	WD-1258	SHEET	1 OF 1

APPROVED: BRUCE KREELY 9/12/08