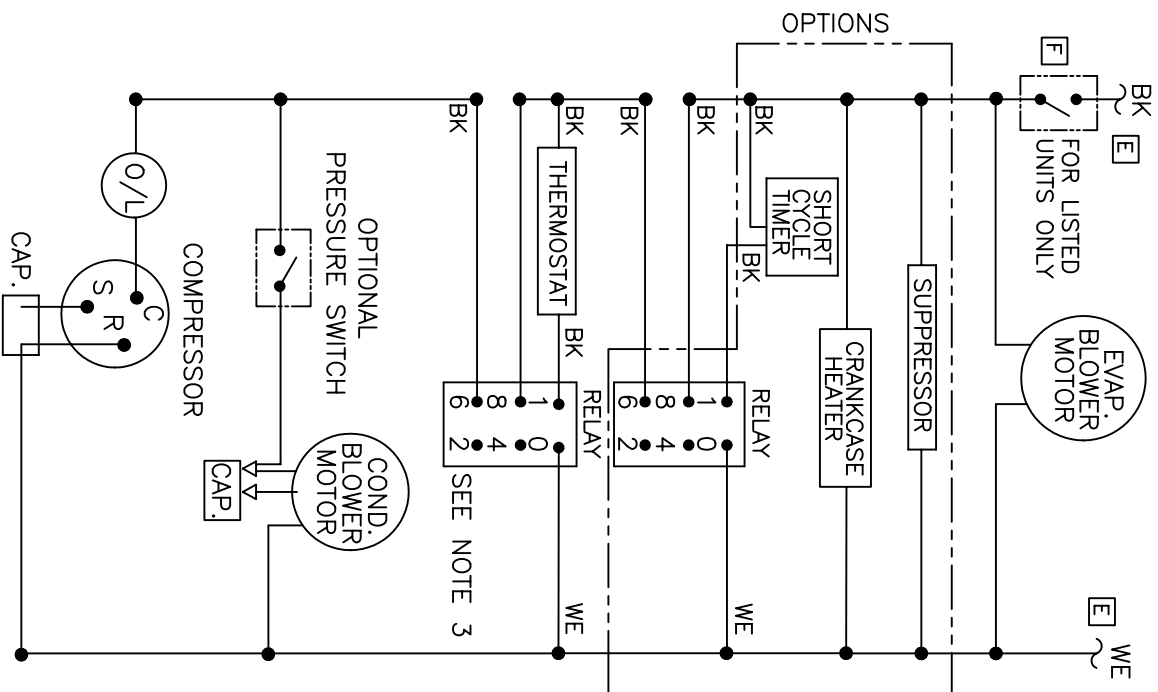


THIS DOCUMENT IS THE PROPERTY OF KOOLTRONIC, INC. AND CONTAINS PROPRIETARY AND CONFIDENTIAL INFORMATION WHICH MUST NOT BE DUPLICATED, USED OR DISCLOSED TO OTHERS, EXCEPT AS EXPRESSLY AUTHORIZED IN WRITING BY KOOLTRONIC, INC.

		REVISIONS		
SYM	NOTICE	DESCRIPTION	DATE	APPROVED
-	EC 92/307	NEW DRAWING RELEASE	11/10/92	MJH
A	EC 94/165	REMOVED (1) RELAY	7/5/94	MJH
B	ER 95/66	ADDED CRANKCASE HEATER OPTION	3/10/95	MJH
C	ER 95/121	REVISED OPTIONS , ADDED RELAY & NOTE 3 & EVAP. BLOWER DETAIL.	7/28/95	D W
D	EC 98/22	REMOVED 8P36 EVAP. BLOWER DETAIL FROM DWG.	2/9/98	RDM
E	EC 98/184	REV. BK. WIRE ON SHORT CYCLE TIMER TO BK. LEAD & ADD OPT. PRESSURE SWITCH	10/2/98	SDS
F	ER 99/3	ADDED SWITCH (FOR LISTED UNITS ONLY)	1/14/99	RL



- ADDITIONAL OPTIONS:**
- 1) AIRFLOW SWITCH
 - 2) COOLING EFFECT DETECTOR
 - 3) EXCESS PRESSURE DETECTOR

- NOTES:**
- 1) ADDITIONAL OPTIONS ARE WIRED TO AN INDIVIDUAL 3 POSITION TERMINAL BLOCK SHOWN ABOVE.
 - 2) 50HZ: CONTACT KOOLTRONIC
 - 3) RELAY REQUIRED WHEN AMPS EXCEED 120V 16 AMPS ; 240V 8.0 AMPS 208V 9.2 AMPS

UNLESS OTHERWISE SPECIFIED TOLERANCES NON-ACCUMULATIVE		DRAWN <i>MARTIN SPICSHORN</i> DATE 11/10/92	
TOL. ON	INCHES	CHECKED	BRUCE F.
.XX	± .02	ENG.	JIM C.
.XXX	± .010	MFG. ENG.	
ANGULAR			± 1/2°
MATERIAL			
UNITS KAC P28 & P36, RACK MOUNTS		APPROVED	G. ROSENKRANS

ALL DIMENSIONS ARE IN INCHES, DIMENSIONS DESIGNATED MM ARE IN MILLIMETERS.



HOPEWELL, NJ VENTURA, CA USA

WIRING DIAGRAM

CODE IDENT. NO.	SIZE	DWG. NO.	REV
06223	A	WD-129	F
SCALE 7/8=1	CAD. REF. WD000017	SHEET	1 OF 1