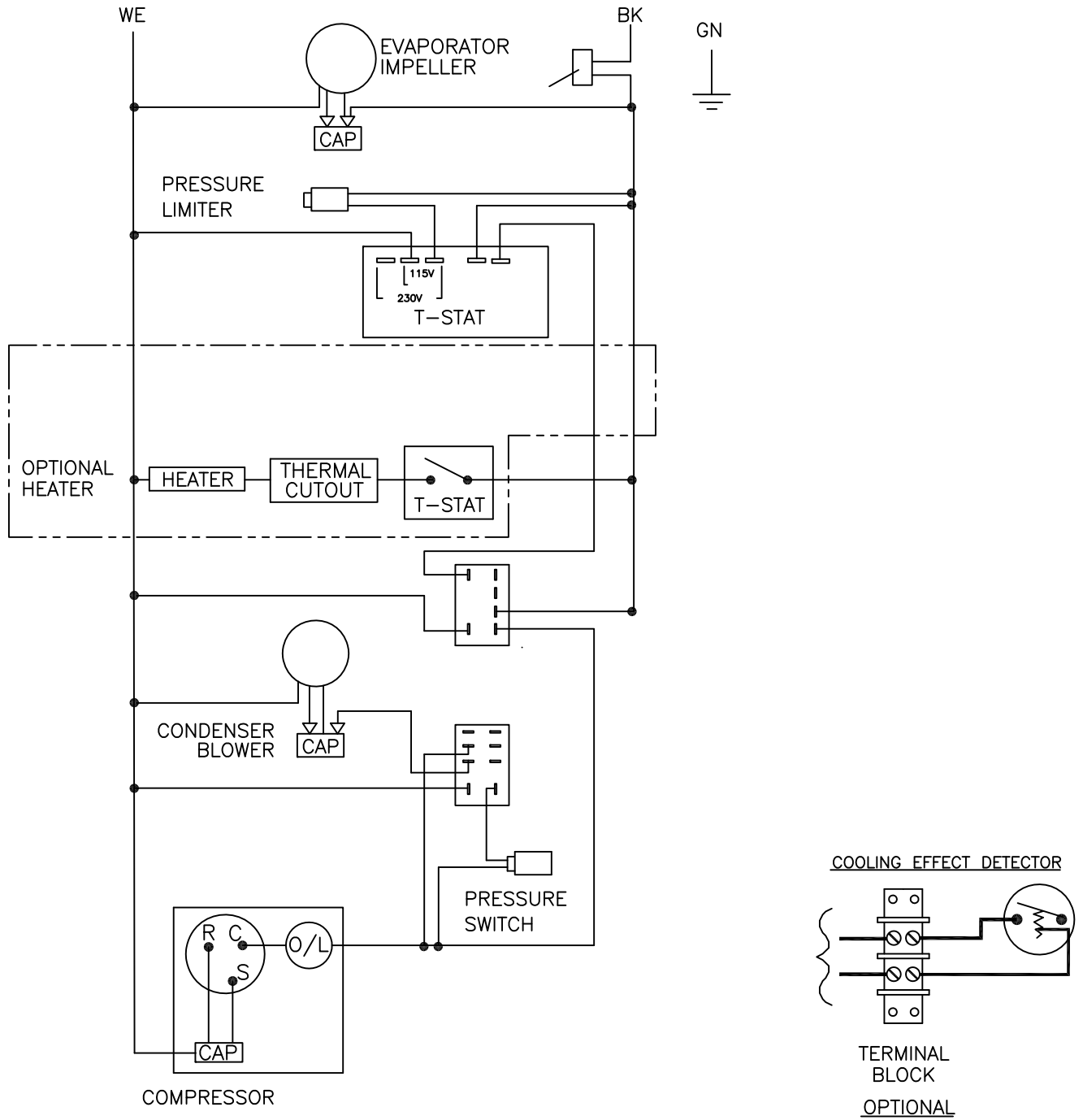


THIS DOCUMENT IS THE PROPERTY OF KOOLTRONIC, INC. AND CONTAINS PROPRIETARY AND CONFIDENTIAL INFORMATION WHICH MUST NOT BE DUPLICATED, USED OR DISCLOSED TO OTHERS, EXCEPT AS EXPRESSLY AUTHORIZED IN WRITING BY KOOLTRONIC, INC.

REVISIONS

SYM	NOTICE	DESCRIPTION	DATE	APPROVED
-	ER 10/006	NEW DRAWING RELEASE	4/15/10	JS
A	EC 14/170	REMOVED SURGE SUPPRESSOR	6/12/14	LM/



ALL DIMENSIONS ARE IN INCHES,
DIMENSIONS DESIGNATED MM ARE IN MILLIMETERS.

UNLESS OTHERWISE SPECIFIED
TOLERANCES NON-ACCUMULATIVE

TOL. ON	INCHES	MM
.XX	± .02	±
.XXX	± .010	±
ANGULAR		± 1/2°

DRAWN	DATE
JERRY STEDNICK	4/15/10
CHECKED Steve Schmierer	4/27/10
ENG. BORIS MUZIKANT	4/15/10
MFG. ENG.	



WIRING DIAGRAM

MATERIAL		CODE IDENT. NO. 06223	SIZE A	DWG. NO. WD-1326	REV A
UNITS K_A6C10NPT47L	APPROVED Joe M/Bruce K	6/1/10	SCALE N/A	CAD. REF. WD-1326	SHEET 1 OF 1