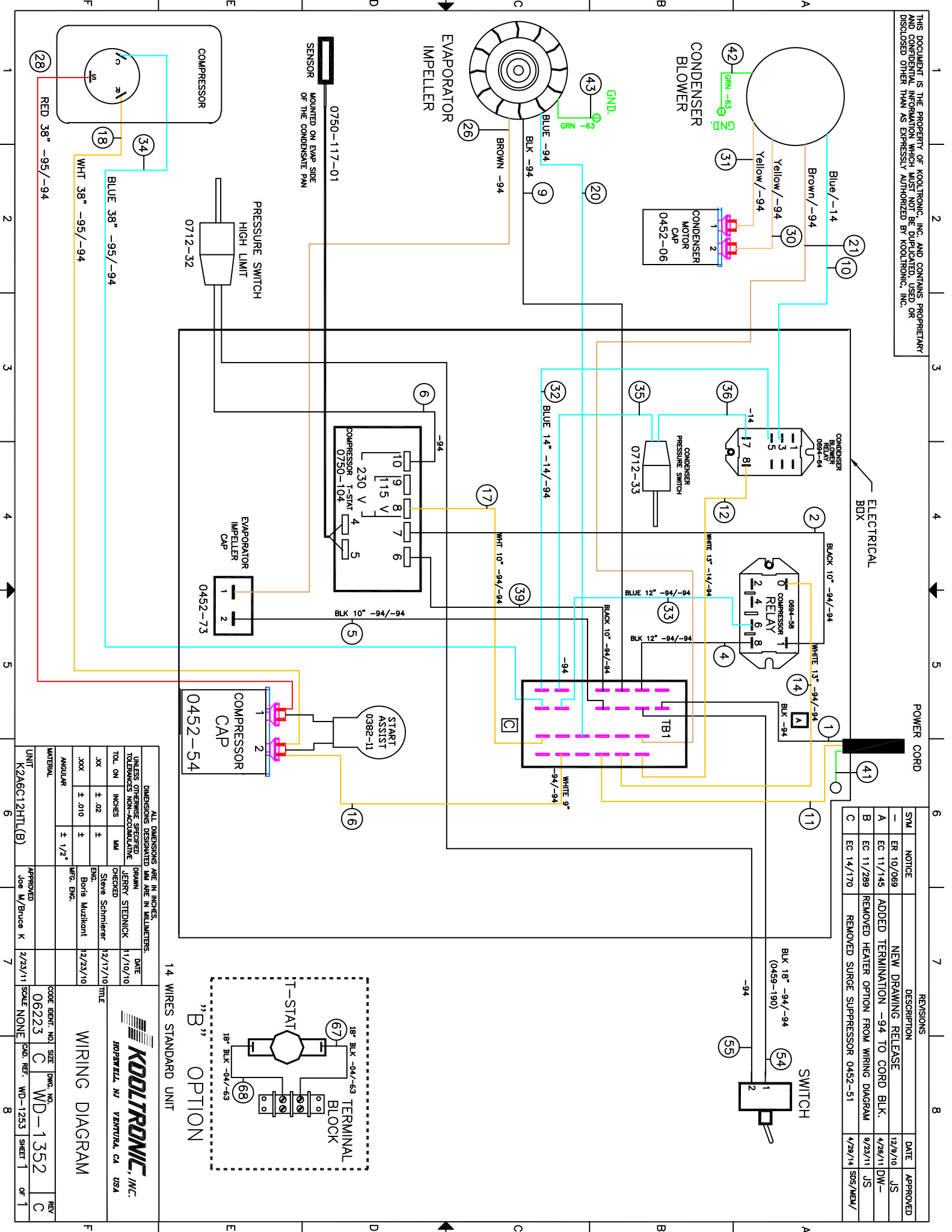
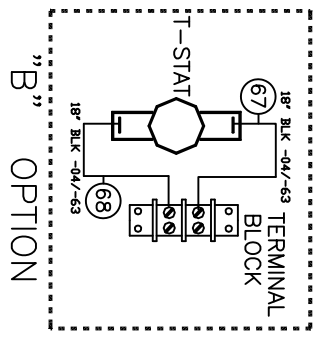


THIS DOCUMENT IS THE PROPERTY OF KOOLTRONIC, INC. AND CONTAINS PROPRIETARY AND CONFIDENTIAL INFORMATION WHICH MUST NOT BE DUPLICATED, USED OR DISCLOSED OTHER THAN AS EXPRESSLY AUTHORIZED BY KOOLTRONIC, INC.



REV	DATE	APPROVED	DESCRIPTION
7	12/9/10	JS	NEW DRAWING RELEASE
6	4/28/11	DW	ADDED TERMINATION -94 TO CORD BLK.
5	9/23/11	JS	REMOVED HEATER OPTION FROM WIRING DIAGRAM
4	4/29/14	SSS/MEW	REMOVED SURGE SUPPRESSOR 0452-51

14 WIRES STANDARD UNIT



DIMENSIONS DESIGNATED MM ARE IN MILLIMETERS.		DATE	
TOL. ON	INCHES	MM	DATE
.XX	± .02	±	11/1/10/10
.XXX	± .010	±	12/17/10
ANGULAR	± 1/2°		

UNLESS OTHERWISE SPECIFIED TOLERANCES NON-ACCUMULATIVE	DRAWN	JERRY STEDNICK
CHECKED	Steve Schmieler	12/17/10
ENG.	Boris Muzikent	12/23/10
WFO. ENG.		

APPROVED	Joe W/Bruce K	2/23/11
----------	---------------	---------

UNIT	K2A6C12HTL (B)
CODE IDENT. NO.	06223
SIZE	C
DWG. NO.	WD-1352
CAD. REF.	WD-1253
SCALE	NONE
SHEET	1
OF	1

**KOOLTRONIC, INC.**  
 HOPWELL, NJ VENTURA, CA USA

**WIRING DIAGRAM**