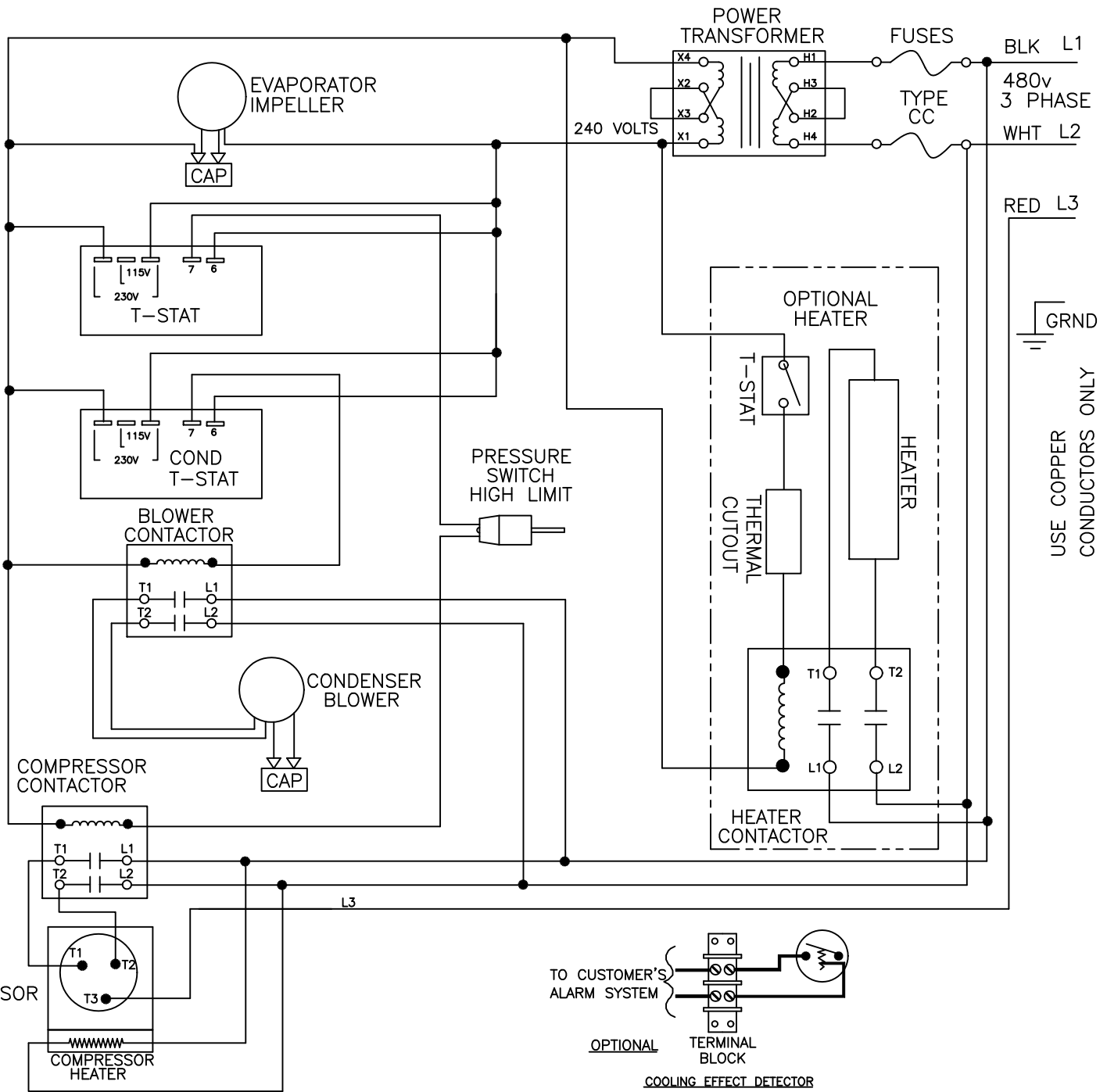


THIS DOCUMENT IS THE PROPERTY OF KOOLTRONIC, INC. AND CONTAINS PROPRIETARY AND CONFIDENTIAL INFORMATION WHICH MUST NOT BE DUPLICATED, USED OR DISCLOSED TO OTHERS, EXCEPT AS EXPRESSLY AUTHORIZED IN WRITING BY KOOLTRONIC, INC.

REVISIONS

SYM	NOTICE	DESCRIPTION	DATE	APPROVED
-	ER 11/014	NEW DRAWING RELEASE	4/14/11	JS



ALL DIMENSIONS ARE IN INCHES,
DIMENSIONS DESIGNATED MM ARE IN MILLIMETERS.



HOPEWELL, NJ VENTURA, CA USA

WIRING DIAGRAM

UNLESS OTHERWISE SPECIFIED TOLERANCES NON-ACCUMULATIVE			DRAWN	DATE
TOL. ON	INCHES	MM	JERRY STEDNICK	4/15/11
.XX	± .02	±	CHECKED	
.XXX	± .010	±	Steve Schmierer	7/18/11
ANGULAR		± 1/2°	ENG.	
			JIM DISLER	7/29/11
			MFG. ENG.	
MATERIAL				
UNITS			APPROVED	
460V DP50, DP53			Joe M/Bruce K	8/1/11

CODE IDENT. NO.	SIZE	DWG. NO.	REV
06223	A	WD-1367	-
SCALE N/A	CAD. REF.	WD-1367	SHEET 1 OF 1