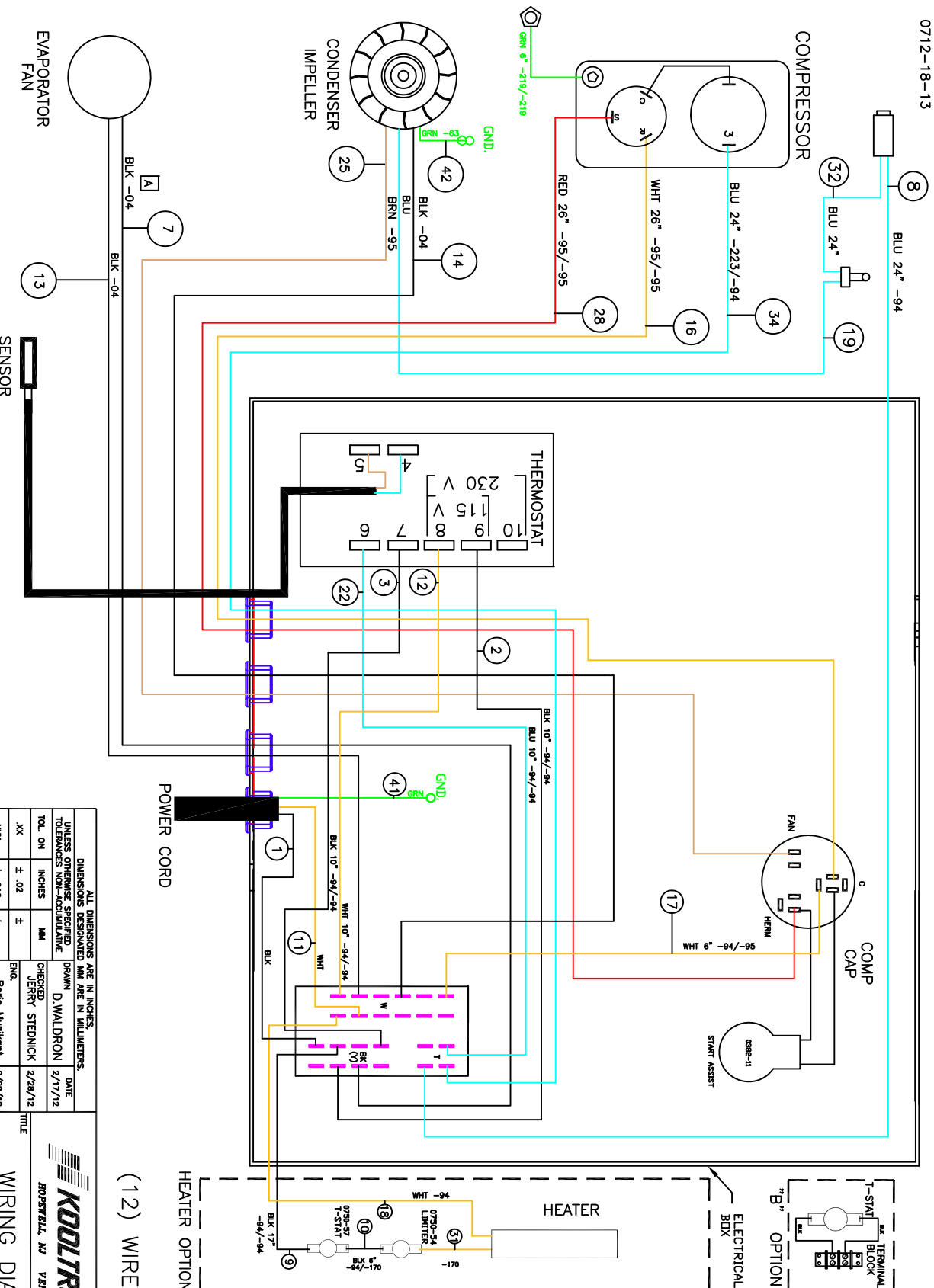


THIS DOCUMENT IS THE PROPERTY OF KOOLTRONIC, INC. AND CONTAINS PROPRIETARY AND CONFIDENTIAL INFORMATION WHICH MUST NOT BE DUPLICATED, USED OR DISCLOSED OTHER THAN AS EXPRESSLY AUTHORIZED BY KOOLTRONIC, INC.

0712-18-13
COND BLWR
PRESSURE SWITCH



SYM	NOTICE	DESCRIPTION	DATE	APPROVED
-	ER 11/103	NEW DRAWING RELEASE.	2/17/12	DW-JS
A	EC 12/294	CHANGED EVAP FAN WIRE TERMINAL WAS -94	10/16/12	JS DW-
B	EC 13/096	ADDED GROUND WIRE TO COMPRESSOR	3/12/13	JS

ALL DIMENSIONS ARE IN INCHES. DIMENSIONS DESIGNATED MM ARE IN MILLIMETERS. UNLESS OTHERWISE SPECIFIED TOLERANCES NON-ACCUMULATIVE

TOL. ON INCHES	± .02	±	±
XX	± .010	±	±
ANGULAR	± 1/2°		

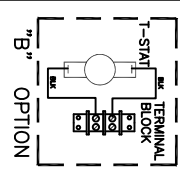
DRAWN: D WALDRON 2/17/12
 CHECKED: JERRY STEDNICK 2/28/12
 ENG: Boris Muzikant 2/28/12
 MFG. ENG.

TITLE: WIRING DIAGRAM
 KNA4C3DP21L

UNIT: KNA4C3DP21L
 APPROVED: Joe M/Bruce K 4/5/12
 SCALE: NONE

CODE IDENT. NO. SIZE DWG. NO. REV
 06223 C WD-1404 B
 SHEET 1 OF 1

(12) WIRES



HEATER

