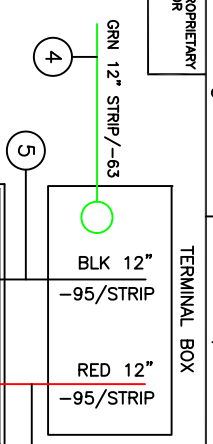


THIS DOCUMENT IS THE PROPERTY OF KOOLTRONIC, INC. AND CONTAINS PROPRIETARY AND CONFIDENTIAL INFORMATION WHICH MUST NOT BE DUPLICATED, USED OR DISCLOSED OTHER THAN AS EXPRESSLY AUTHORIZED BY KOOLTRONIC, INC.

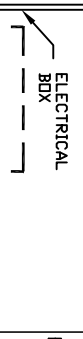
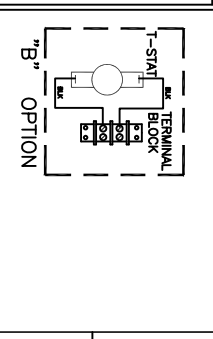
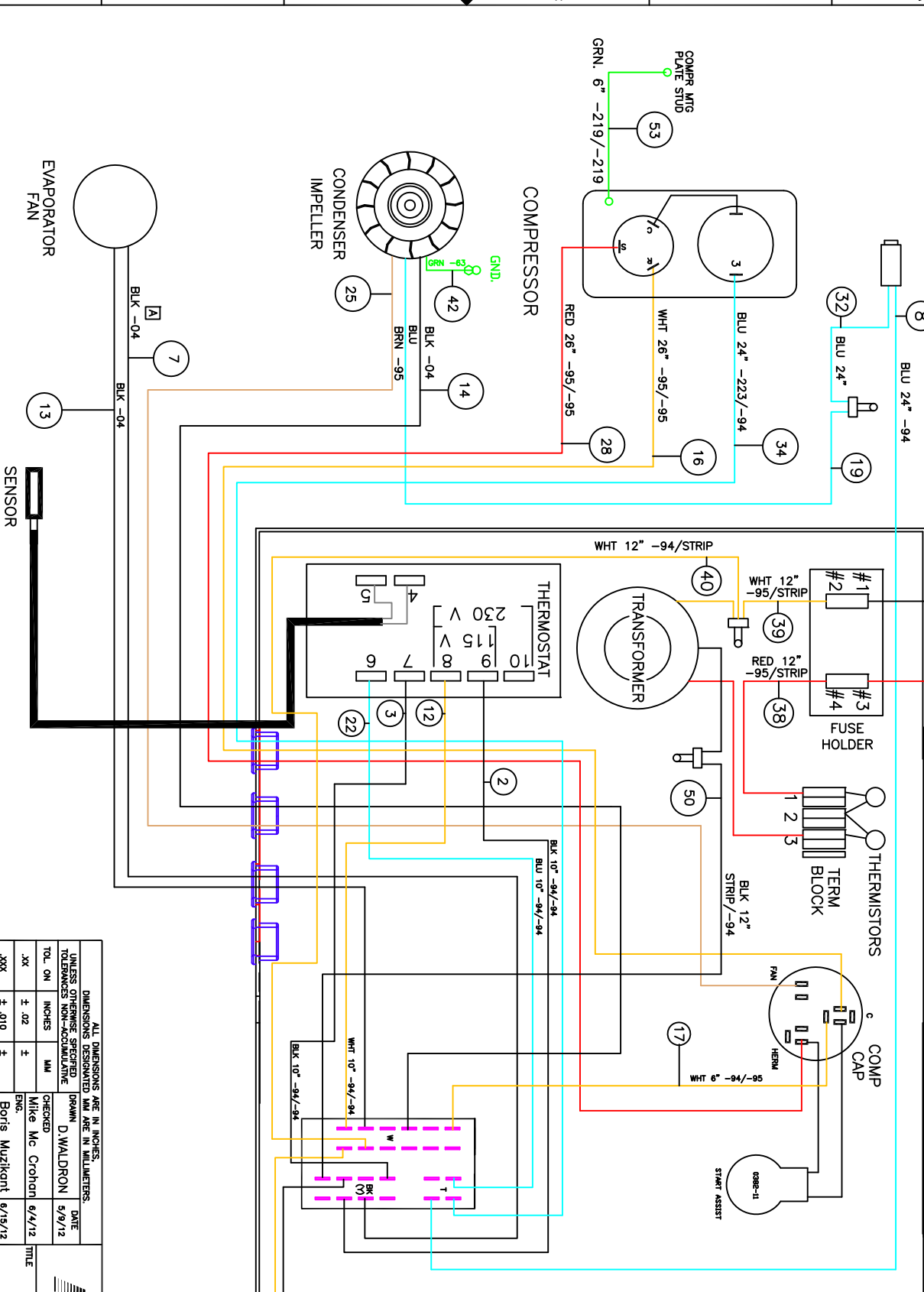
PRESSURE SWITCH  
COND BLMR  
0712-18-13



REV	DATE	DESCRIPTION	APPROVED
E	14/134	ADDED COMPER GROUND WIRE	4/3/14 JS

REV	DATE	DESCRIPTION	APPROVED
-	ER 12/020	NOTICE	
A	EC 12/294	NEW DRAWING RELEASE.	5/9/12 DW-
B	EC 12/314	CHANGED EVAP FAN WIRE TERMINAL WAS -94	10/16/12 JS DW-
c	EC 12/303	ADDED TERMINAL BLOCK & THERMISTORS.	11/14/12 DW-
D	EC 13/289	(4) TERMINALS ON FUSE HOLDER WERE -94. CHANGED WIRE TERMINALS FROM -04 TO -95 ON WIRES #5,6,8,9	11/19/12 DW-
			10/23/13 JS

REV	DATE	DESCRIPTION	APPROVED



(15) WIRES

DIMENSIONS ARE IN INCHES UNLESS OTHERWISE SPECIFIED		DIMENSIONS DESIGNATED MM ARE IN MILLIMETERS.	
TOL. ON INCHES	± .02	TOL. ON MILLIMETERS	± .10
UNLESS OTHERWISE SPECIFIED TOLERANCES NON-ACCUMULATIVE			
DATE	5/9/12	DATE	6/4/12
DESIGNED BY	D WALDRON	DESIGNED BY	MIKE MC COHAN
CHECKED BY	BORIS MUZIKANT	CHECKED BY	MIKE MC COHAN
DATE	6/15/12	DATE	6/4/12
UNIT	K3NA4C3DP24L	UNIT	K3NA4C3DP24L
APPROVED	JOE M/BRUCE K	APPROVED	JOE M/BRUCE K
DATE	6/20/12	DATE	6/20/12
SCALE	NONE	SCALE	NONE
CODE IDENT. NO.	06223	CODE IDENT. NO.	06223
SIZE	C	SIZE	C
DWG. NO.	WD-1415	DWG. NO.	WD-1415
REV	E	REV	E
SHEET	1	SHEET	1
OF	1	OF	1

**KOOLTRONIC, INC.**  
2029 WILSON BLVD. #100  
VANITY, CA 94133  
TEL: 415-339-8888  
WWW.KOOLTRONIC.COM

**WIRING DIAGRAM**  
K3NA4C3DP24L