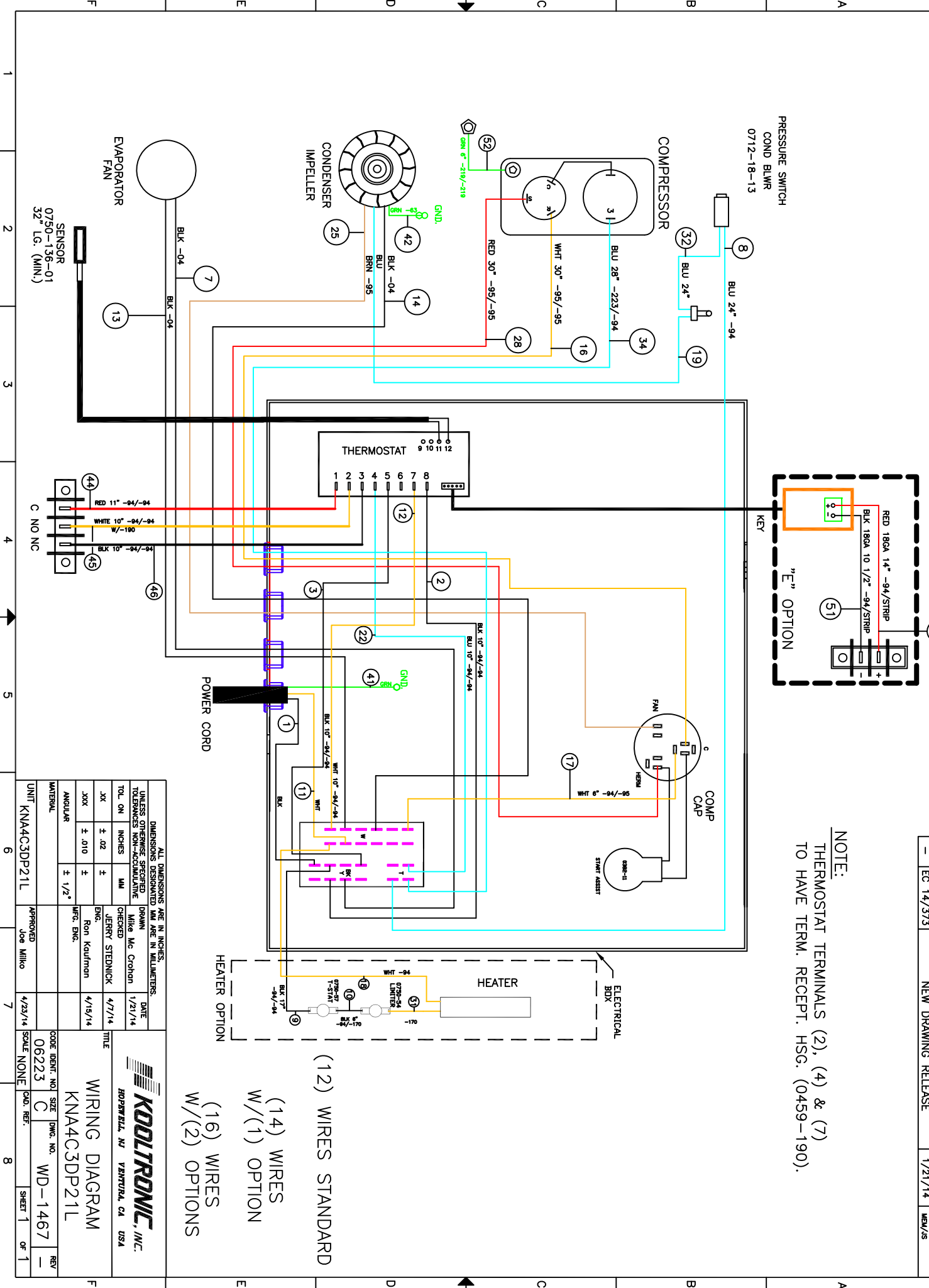


THIS DOCUMENT IS THE PROPERTY OF KOOLTRONIC, INC. AND CONTAINS PROPRIETARY AND CONFIDENTIAL INFORMATION WHICH MUST NOT BE DUPLICATED, USED OR DISCLOSED OTHER THAN AS EXPRESSLY AUTHORIZED BY KOOLTRONIC, INC.



DIMENSIONS DESIGNATED MM ARE IN MILLIMETERS.		UNLESS OTHERWISE SPECIFIED		DATE	
TOL. ON	INCHES	MM	CHECKED	DATE	
.XX	± .02	±	JERRY STEDNICK	4/7/14	
.XXX	± .010	±	RON KAUFMAN	4/15/14	
ANGULAR	±	± 1/2°	MFG. ENG.		

UNIT	KNA4C3DP21L	APPROVED	Joe Mikko	4/23/14	SCALE	NONE	
CODE IDENT. NO.	06223	SIZE	C	DWG. NO.	WD-1467	REV	-
CAD. REF.							
SHEET	1	OF	1				

KOOLTRONIC, INC.
 HOPWELL, NJ VENTURA, CA USA

WIRING DIAGRAM
 KNA4C3DP21L

(12) WIRES STANDARD
 (14) WIRES W/(1) OPTION
 (16) WIRES W/(2) OPTIONS

REVISIONS				
SYM	NOTICE	DESCRIPTION	DATE	APPROVED
-	EC 14/373	NEW DRAWING RELEASE	1/21/14	MEV/JS