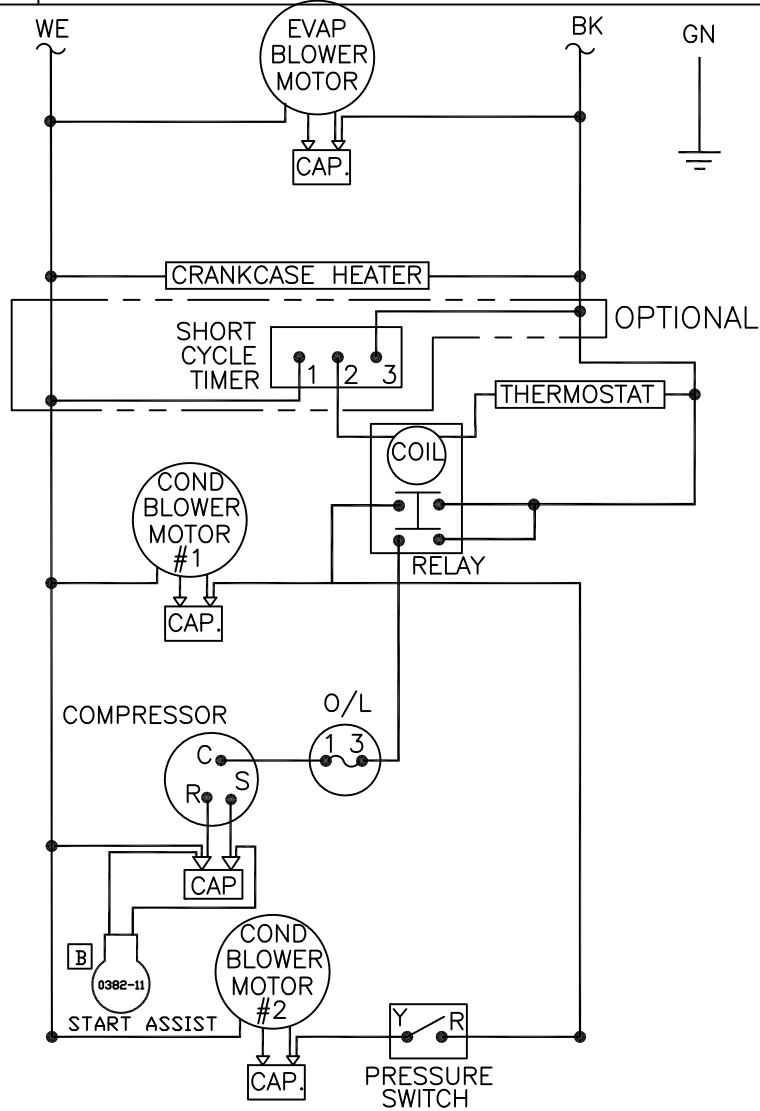


THIS DOCUMENT IS THE PROPERTY OF KOOLTRONIC, INC. AND CONTAINS PROPRIETARY AND CONFIDENTIAL INFORMATION WHICH MUST NOT BE DUPLICATED, USED OR DISCLOSED OTHER THAN AS EXPRESSLY AUTHORIZED BY KOOLTRONIC, INC.

REVISIONS				
SYM	NOTICE	DESCRIPTION	DATE	APPROVED
-	EC 94/215	NEW DRAWING RELEASE	09/26/94	MJH
A	EC 95/49	REVISED RELAY WIRING	2/27/95	MJH
B	EC 99/146	"B" ADDED START ASSIST 0382-11	8/20/99	RDM
C	EC 04/179	REMOVED OPTION BLOCK FROM C.C.HTR. & PRES. SWT. NOW STD. AS OF 5/21/04	5/19/04	MEM/
D	EC 14/170	REMOVED SURGE SUPPRESSOR	7/15/14	LM/



ALL DIMENSIONS ARE IN INCHES,  
DIMENSIONS DESIGNATED MM ARE IN MILLIMETERS.

UNLESS OTHERWISE SPECIFIED  
TOLERANCES NON-ACCUMULATIVE

TOL. ON	INCHES	MM
.XX	± .02	±
.XXX	± .010	±
ANGULAR		± 1/2°

MATERIAL  
UNITS K2NA4C8-10P38,P47 &P59R  
K2NA4C8-10P38R5,P47R5 & P59R5

DRAWN <i>MARTIN H. RUCSHORN</i>	DATE 09/26/94
CHECKED	
ENG. S.R.	2/27/95
MFG. ENG.	
APPROVED B KREELEY	12/1/04



WIRING DIAGRAM

CODE IDENT. NO. 06223	SIZE A	DWG. NO. WD-199	REV D
SCALE 1=1	CAD. REF.	WD-199	SHEET 1 OF 1