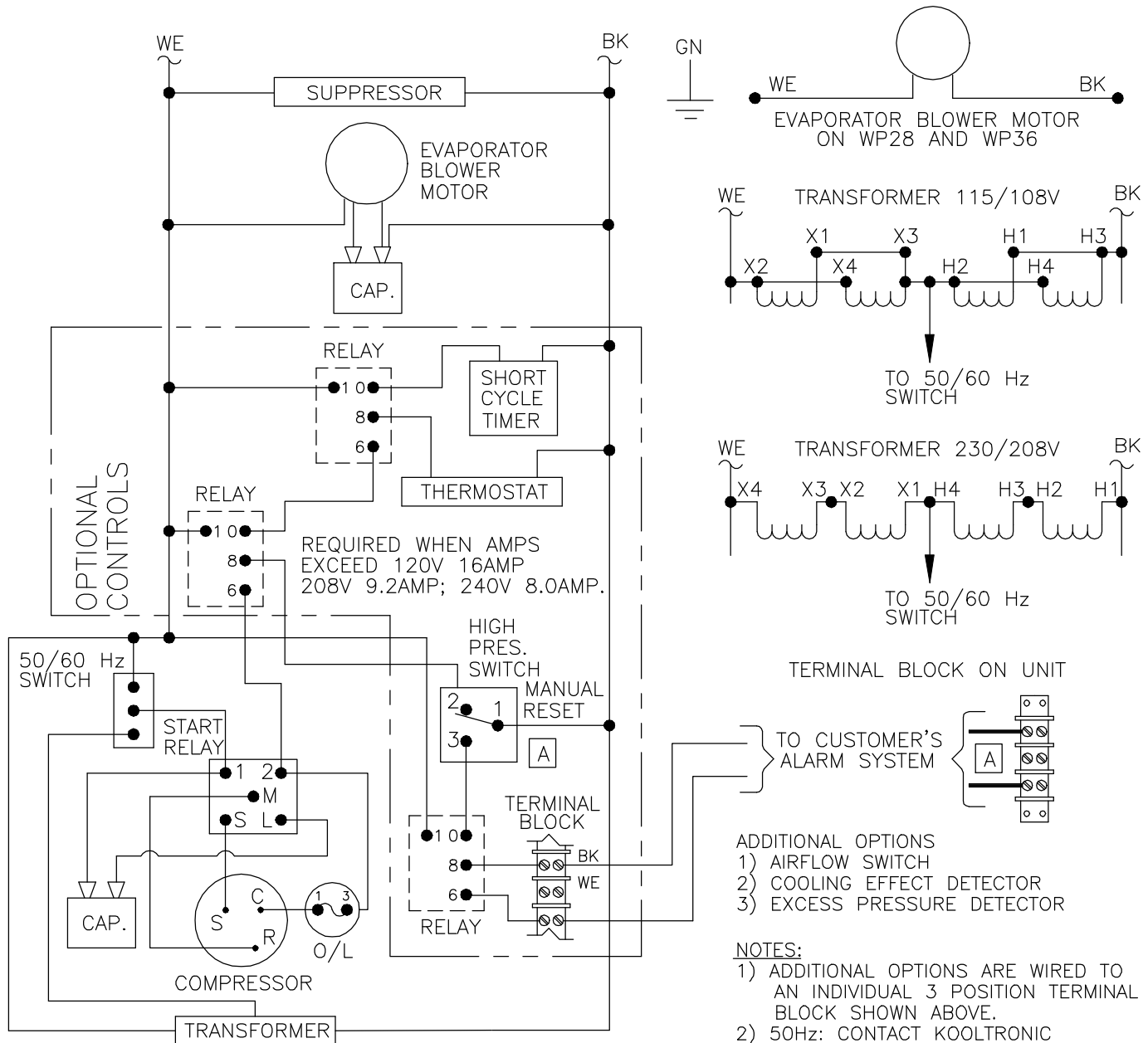


THIS DOCUMENT IS THE PROPERTY OF KOOLTRONIC, INC. AND CONTAINS PROPRIETARY AND CONFIDENTIAL INFORMATION WHICH MUST NOT BE DUPLICATED, USED OR DISCLOSED TO OTHERS, EXCEPT AS EXPRESSLY AUTHORIZED IN WRITING BY KOOLTRONIC, INC.

REVISIONS

SYM	NOTICE	DESCRIPTION	DATE	APPROVED
-	ER 96/276	NEW DRAWING RELEASE	9/16/96	JMB/MM
A	EC 96/238	PICTORIAL CHANGE TO MATCH EXISTING HARDWARE	10/30/96	JMB/JT/SR



ALL DIMENSIONS ARE IN INCHES, DIMENSIONS DESIGNATED MM ARE IN MILLIMETERS.

UNLESS OTHERWISE SPECIFIED TOLERANCES NON-ACCUMULATIVE		
TOL. ON	INCHES	MM
.XX	± .02	±
.XXX	± .010	±
ANGULAR		± 1/2°
MATERIAL		
UNITS	K2A4C6WP28T-2	

DRAWN	<i>Rob George</i>	DATE	08/23/94
CHECKED	J. BARNARD		9/16/96
ENG.	S. REZNIK		
MFG. ENG.			
APPROVED	B.K. KREELEY		



WIRING DIAGRAM

CODE IDENT. NO.	SIZE	DWG. NO.	REV
06223	A	WD-259	A
SCALE 1=1	CAD. REF.	WD000147	SHEET 1 OF 1