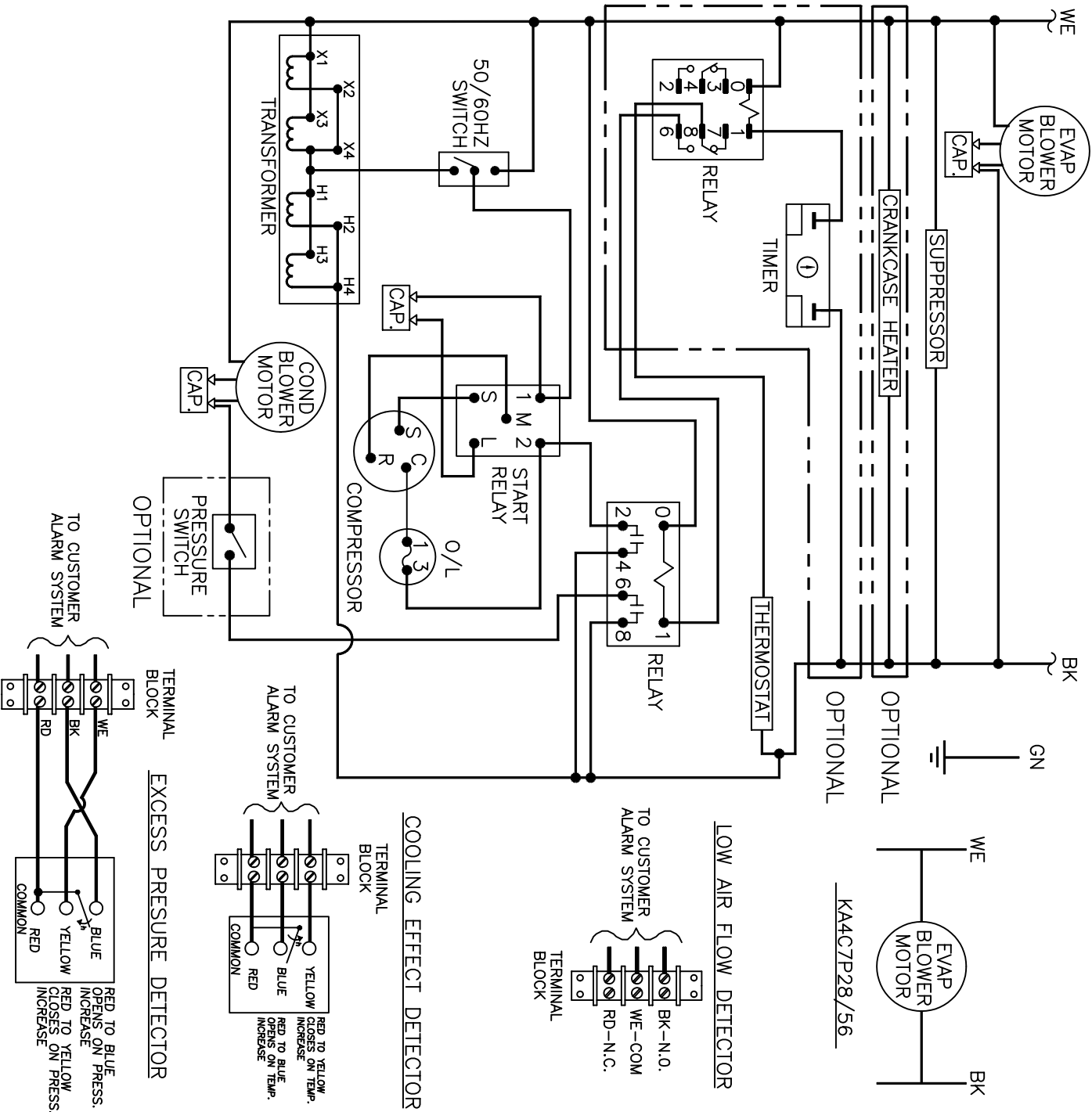


THIS DOCUMENT IS THE PROPERTY OF KOOLTRONIC, INC. AND CONTAINS PROPRIETARY AND CONFIDENTIAL INFORMATION WHICH MUST NOT BE DUPLICATED, USED OR DISCLOSED TO OTHERS, EXCEPT AS EXPRESSLY AUTHORIZED IN WRITING BY KOOLTRONIC, INC.

REVISIONS		DATE	APPROVED
SYM	NOTICE		
-	ER 98/45	NEW DRAWING RELEASE	3/31/98
A	ER 99/23	ADDED KA4C4-7P52R56 & P47R56 TO DWG., MADE SHORT CYCLE PROT. OPT., PICT. FIXED RELAYS	2/12/99
			RL



ALL DIMENSIONS ARE IN INCHES, DIMENSIONS DESIGNATED MM ARE IN MILLIMETERS.

UNLESS OTHERWISE SPECIFIED TOLERANCES NON-ACCUMULATIVE		DRAWN	DATE
TOL. ON INCHES	MM	R.D. MOORE	3/31/98
.XX	±	ENG.	
.XXX	± .010	±	ENG.
ANGULAR	± 1/2°	MFG. ENG.	
MATERIAL		CHECKED	
UNITS KA4C6P47R56HY-1, KA4C4-7P52R56, KA4C4P47R56		APPROVED	

HOPEWELL, NJ VENTURA, CA USA

KOOLTRONIC, INC.

WIRING DIAGRAM

CODE IDENT. NO.	SIZE	DWG. NO.	REV
06223	A	WD-348	A
SCALE N/A	CAD. REF. WD0000234	SHEET 1 OF 1	