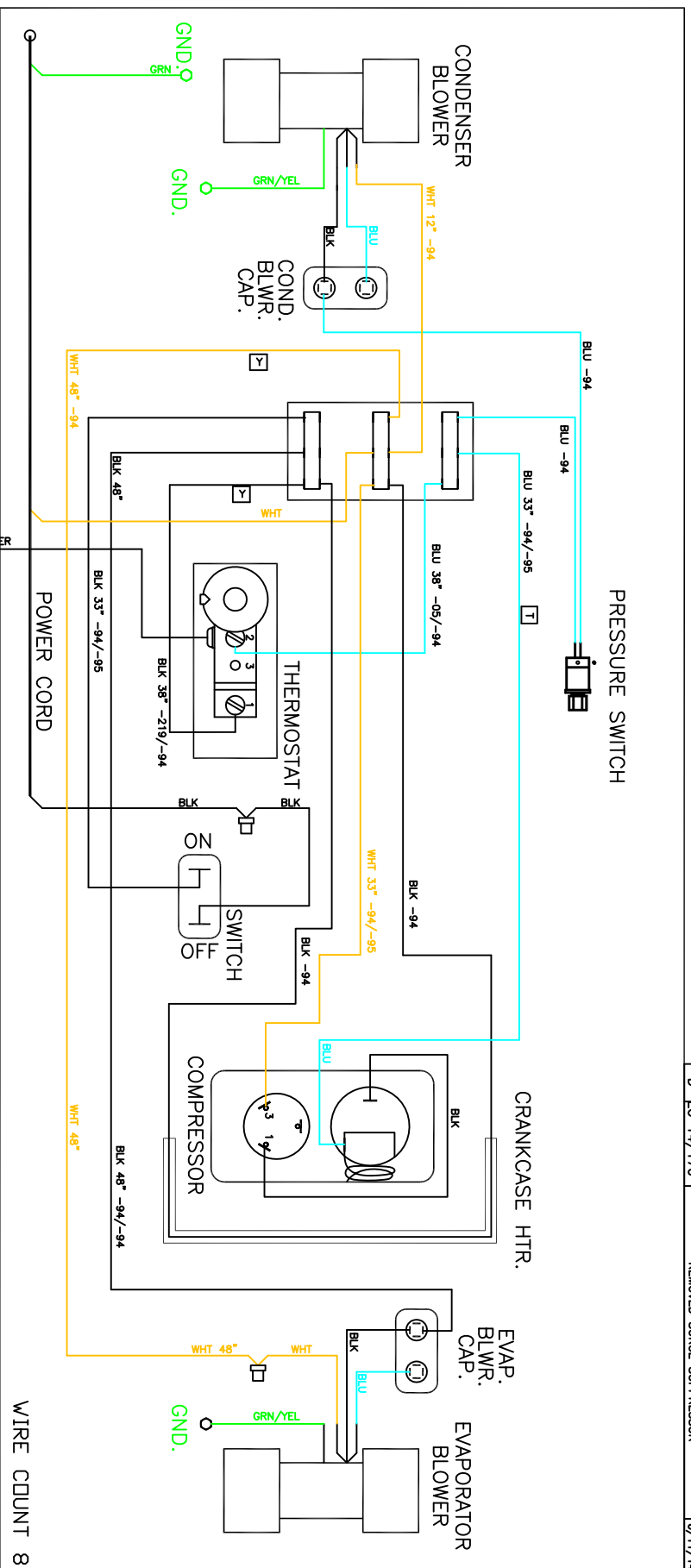


THIS DOCUMENT IS THE PROPERTY OF KOOLTRONIC, INC. AND CONTAINS PROPRIETARY AND CONFIDENTIAL INFORMATION WHICH MUST NOT BE DUPLICATED, USED OR DISCLOSED TO OTHERS, EXCEPT AS EXPRESSLY AUTHORIZED IN WRITING BY KOOLTRONIC, INC.



REVISIONS				
SYM	NOTICE	DESCRIPTION	DATE	APPROVED
-	ER 98/75	NEW DRAWING RELEASE	4/6/98	SDS
A	EC 00/53	CHANGED 'T' SIDE WIRES TO BLUE	3/29/00	RL
B	ER 04/214	ADDED WIRE TERMINATIONS & WIRE COUNT	12/17/04	MMJ
C	EC 07/005	ADDED 0459-219 TERMINATION TO 38" BLK WIRE	1/9/07	MMJ
D	EC 14/170	REMOVED SURGE SUPPRESSOR	8/11/14	MMJ

KOOLTRONIC, INC.
ROPERVILLE, NJ YERKONA, CA USA

WIRING DIAGRAM
AIR CONDITIONER

DIMENSIONS DESIGNED MM ARE IN MILLIMETERS.		DIMENSIONS DESIGNED IN INCHES.	
TOLERANCES UNLESS OTHERWISE SPECIFIED	DRAWN	DATE	
TOL. ON INCHES	STEVE S.	4/6/98	
TOL. ON MM	CHECKED		
.XX	Lido M/STEVE S.	8/13/14	MMJ
± .02	ENG.	6/13/14	
± .010	Joe Milillo		
±	MFG. ENG.		
ANGULAR			
± 1/2°			

MATERIAL	APPROVED	DATE	SCALE	REV
KA4C5NP33LN	Joe Milillo	6/13/14	1/4=1	06223
CODE	SIZE	DWG. NO.		
B		WD-352		D
CAD. REF.	WDD000238	SHEET	1 OF 1	