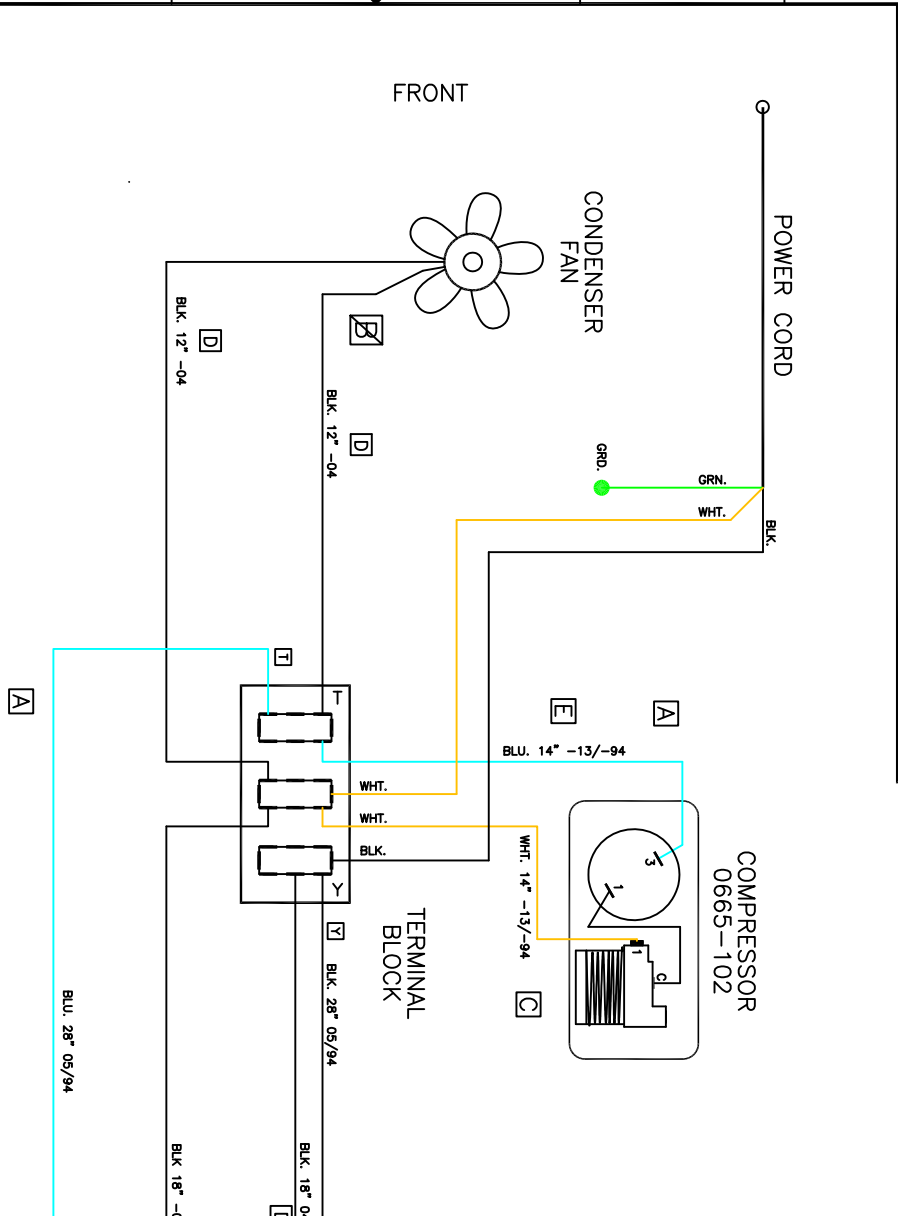


THIS DOCUMENT IS THE PROPERTY OF KOOLTRONIC, INC. AND CONTAINS PROPRIETARY AND CONFIDENTIAL INFORMATION WHICH MUST NOT BE DUPLICATED, USED OR DISCLOSED TO OTHERS, EXCEPT AS EXPRESSLY AUTHORIZED IN WRITING BY KOOLTRONIC, INC.



(8 WIRES)

REVISIONS			
SYM	NOTICE	DESCRIPTION	DATE
-	EC 99/1	NEW DRAWING RELEASE	4/7/99
A	EC 01/13	*A* ADDED BLUE WIRES	2/20/01
B	EC 03/125	*B* CHANGE CONDENSER FAN WIRE TO BLUE	4/4/03
C	EC 06/053	WHT 14" -13/-94 WIRE WAS 12"	2/22/06
D	EC 07/1008	CHANGED ALL FAN WIRES TO BLK	1/2/08
E	EC 08/993	CHANGED TERMINALS ON BOTH FANS TO -04	12/8/08
F	EC 14/170	CHANGED BLUE COMP WIRE 14" WAS 12" REMOVED SURGE SUPPRESSOR	6/30/14

ALL DIMENSIONS ARE IN INCHES. DIMENSIONS DESIGNATED MM ARE IN MILLIMETERS.			
TOLERANCE	FINISH	DRAWN	DATE
± .02	±	Steve Schmeier	6/30/14
± .010	±	Joe Milko	6/30/14
± 1/2"	±		

DATE	APPROVED	SCALE	REV
6/30/14	Joe Milko	1/4=1	WD-494

CODE	ISSUE NO.	SIZE	DWG. NO.
KA4C2	SHSL	B	WD-494

Kooltronic, Inc.	
ROPERVILLE, NJ	VENTNOLA, CA
USA	

WIRING DIAGRAM	
AIR CONDITIONER	