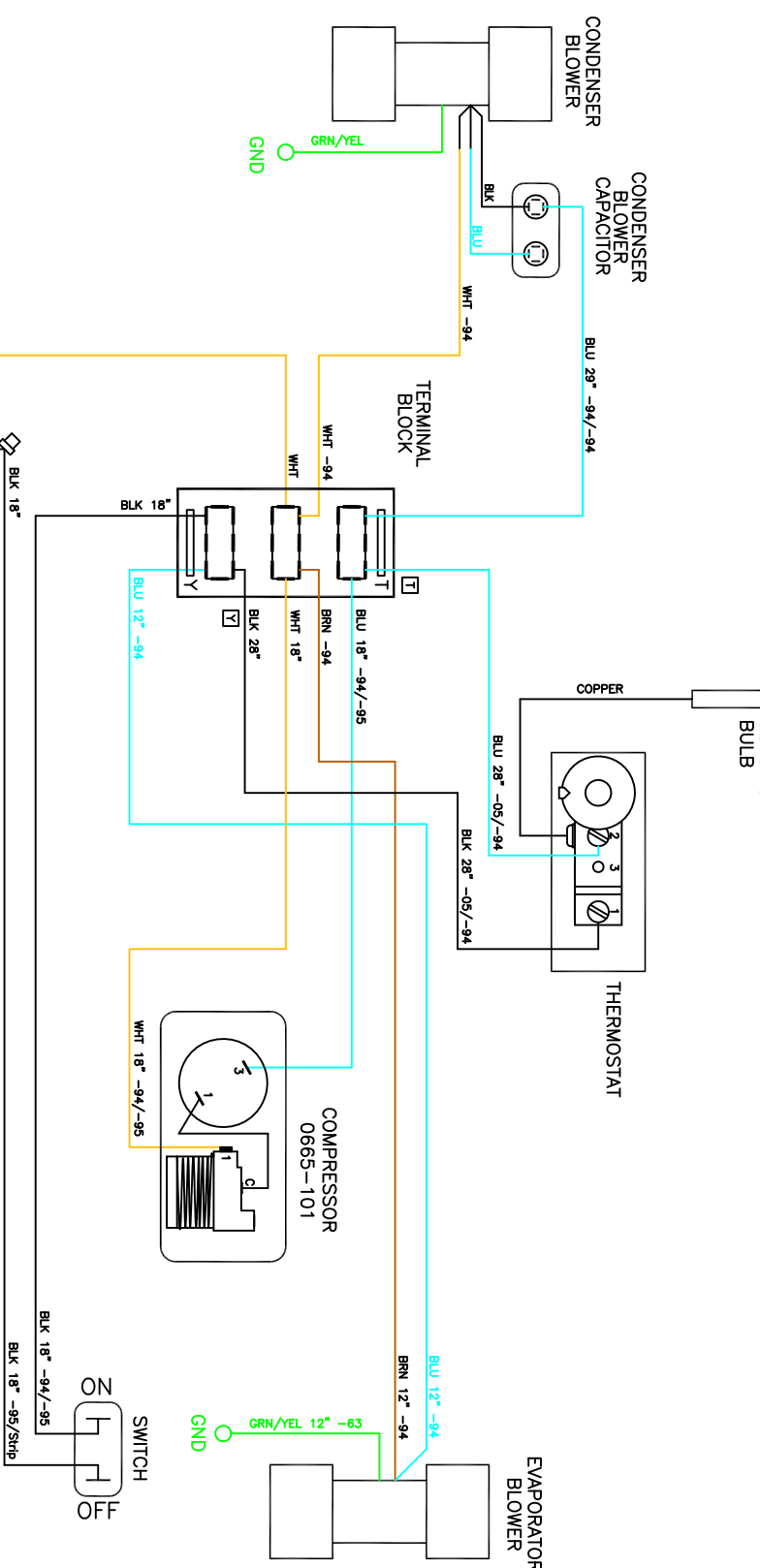


THIS DOCUMENT IS THE PROPERTY OF KOOLTRONIC, INC. AND CONTAINS PROPRIETARY AND CONFIDENTIAL INFORMATION WHICH MUST NOT BE DUPLICATED, USED OR DISCLOSED TO OTHERS, EXCEPT AS EXPRESSLY AUTHORIZED IN WRITING BY KOOLTRONIC, INC.

REVISIONS				
SYM	NOTICE	DESCRIPTION	DATE	APPROVED
-	EC 99/82	NEW DRAWING RELEASE	5/19/99	MRM
A	EC 03/200	ADDED TERMINATIONS TO WIRE LENGTHS	5/14/03	MEM
B	EC 14/170	REMOVED SURGE SUPPRESSOR	6/16/14	LM/



7 WIRES

DIMENSIONS ARE IN INCHES.			
DIMENSIONS DESIGNATED MM ARE IN MILLIMETERS.		DATE	
TOL. ON	INCHES	MM	CHECKED
.XX	± .02	±	ENG.
.XXX	± .010	±	MFG. ENG.
ANGULAR	± 1/2°		

KOOLTRONIC, INC.
 800 PAVENHILL, NJ VERBODEN, CA USA

WIRING DIAGRAM
AIR CONDITIONER

UNIT	KA4C1-4HSL	APPROVED		CODE IDENT. NO.	06223	SIZE	B	DWG. NO.	WD-505	REV.	B
MATERIAL				SCALE	NONE	CAD. REF.	WD-505	SHEET	1 OF 1		