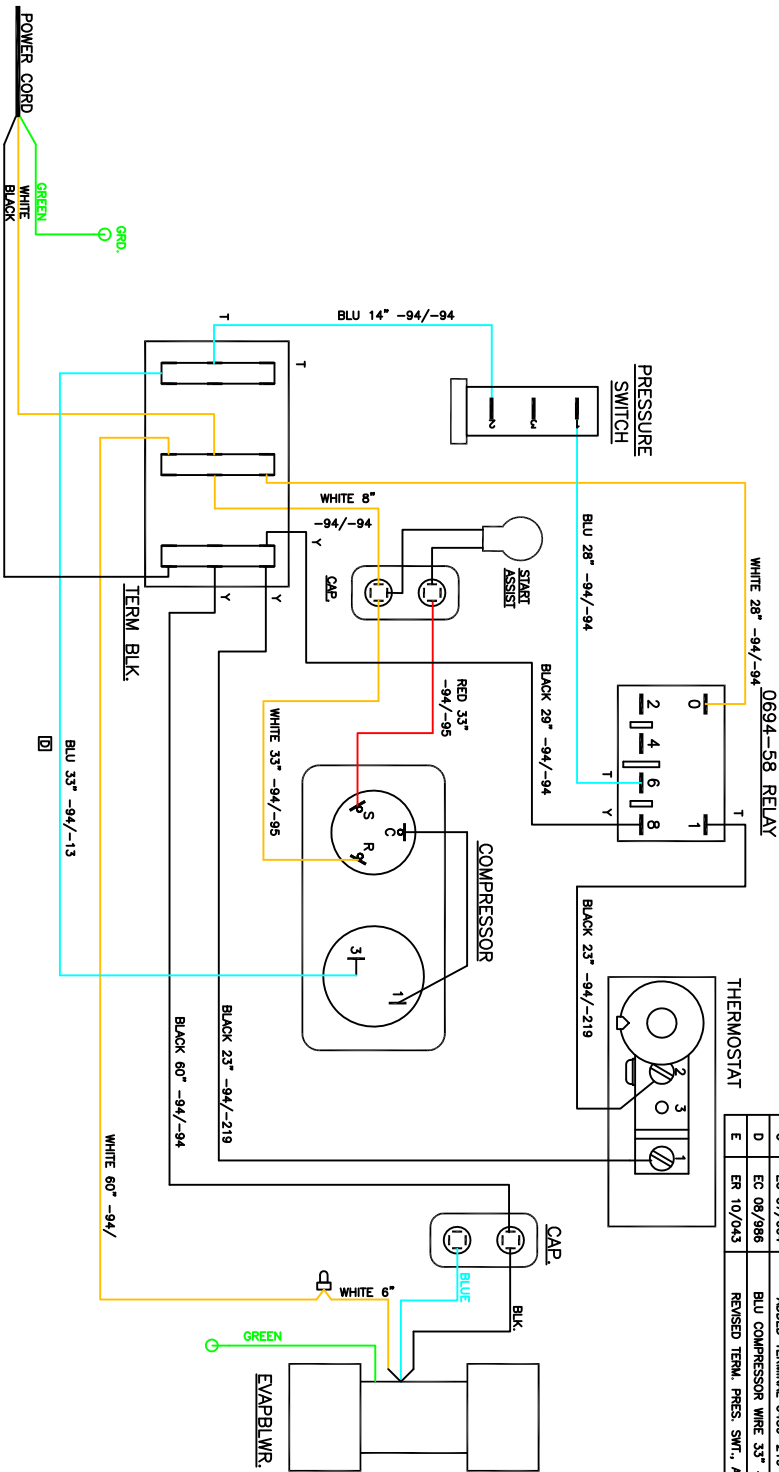


THIS DOCUMENT IS THE PROPERTY OF KOOLTRONIC, INC. AND CONTAINS PROPRIETARY AND CONFIDENTIAL INFORMATION, WHICH MUST NOT BE DUPLICATED, USED OR DISCLOSED OTHER THAN AS EXPRESSLY AUTHORIZED BY KOOLTRONIC, INC.

F	EC 10/495	REVISED WIRE LENGTHS	9/29/10	JS/	SWM	NOTICE	REVISIONS	DATE	APPROVED
G	EC 14/170	REMOVED SURGE SUPPRESSOR	6/23/14	LM/			DESCRIPTION		
A	EC 98/244	ADDED 0694-58 RELAY	12/3/99	RL			NEW DRAWING RELEASE	10/28/99	RL
B	ECR 04/187	ADDED WIRE TERMINATIONS, BLU WIRES WERE BLK.	4/12/04	SOS				1/8/07	RDM
C	EC 07/004	ADDED TERMINAL 0458-219 TO 23" BLK WIRE	12/3/08	SOS/				6/7/10	MEM/
D	EC 08/986	BLU COMPRESSOR WIRE 33" -94/-13 WAS 23"							
E	ER 10/043	REVISED TERM. PRES. SWT., ADDED WIRE COUNT							



WIRE COUNT 12

ALL DIMENSIONS ARE IN INCHES, UNLESS OTHERWISE SPECIFIED IN MILLIMETERS

TOL. ON INCHES	MM	CHECKED	DATE
± .02	±	ERRY S/Steve S	9/21/10
± .010	±	Joe Milko	9/21/10
± 1/2"	±	MFG. ENG.	

UNIT	K2A4C8-12WNP47/5	APPROVED	Joe Milko	9/21/10
CODE IDENT. NO.	06223	SIZE	WD-534	REV
SCALE	NONE	CD. REF.	WD-534	SHEET
				OF 1

KOOLTRONIC, INC.
 8029 W. 21ST AVE., YANTHURA, CA USA

WIRING DIAGRAM
AIR CONDITIONER