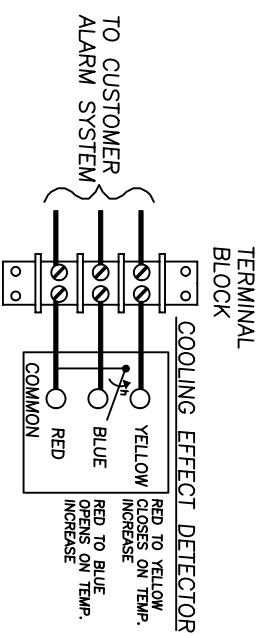
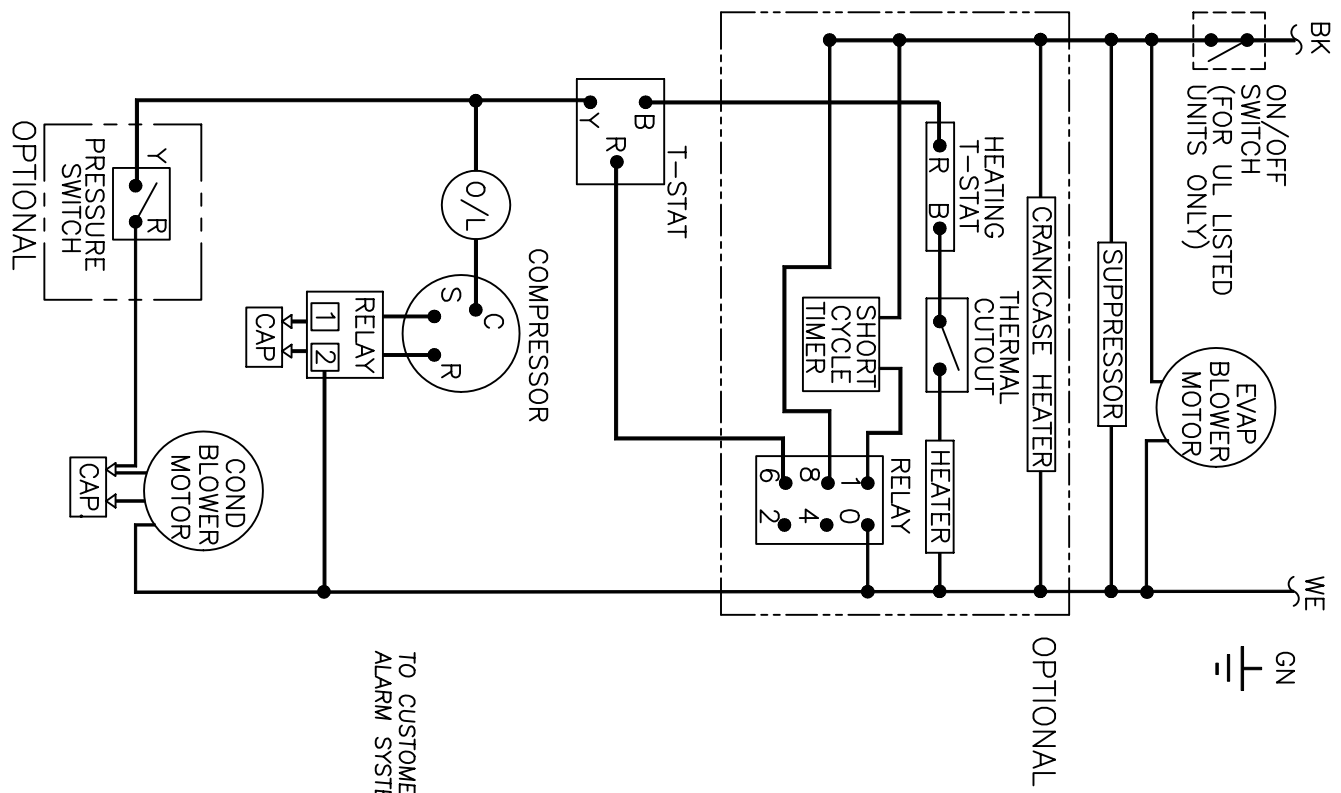


REVISIONS		DESCRIPTION	DATE	APPROVED
SYM	NOTICE			
-	ER 99/152	NEW DRAWING RELEASE	11/1/99	SDS

THIS DOCUMENT IS THE PROPERTY OF KOOLTRONIC, INC. AND CONTAINS PROPRIETARY AND CONFIDENTIAL INFORMATION WHICH MUST NOT BE DUPLICATED, USED OR DISCLOSED TO OTHERS, EXCEPT AS EXPRESSLY AUTHORIZED IN WRITING BY KOOLTRONIC, INC.



ALL DIMENSIONS ARE IN INCHES, DIMENSIONS DESIGNATED MM ARE IN MILLIMETERS.

UNLESS OTHERWISE SPECIFIED TOLERANCES NON-ACCUMULATIVE		DRAWN	DATE
TOL. ON	INCHES	STEVE S.	11/1/99
	MM		
.XX	± .02	ENG.	
.XXX	± .010	MFG. ENG.	
ANGULAR	± 1/2°		

MATERIAL	APPROVED
UNITS K2A4C2-4P36L K2A4C2-4P28L	



WIRING DIAGRAM
AIR CONDITIONER

CODE IDENT. NO.	SIZE	DWG. NO.	REV
06223	A	WD-536	-
SCALE 1=1	CAD. REF.	WD-536	SHEET 1 OF 1