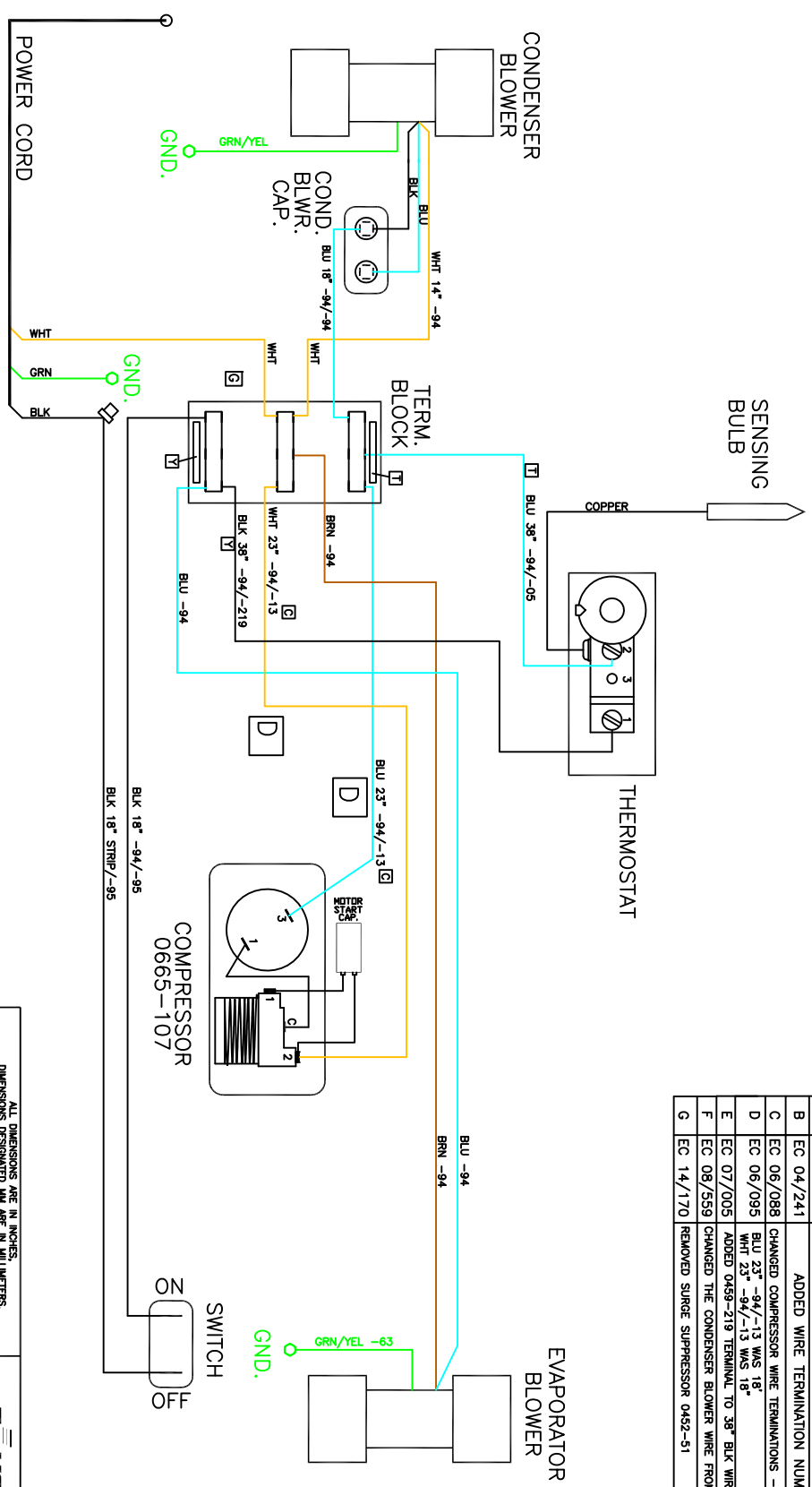


THIS DOCUMENT IS THE PROPERTY OF KOOLTRONIC, INC. AND CONTAINS PROPRIETARY AND CONFIDENTIAL INFORMATION WHICH MUST NOT BE DUPLICATED, USED OR DISCLOSED TO OTHERS, EXCEPT AS EXPRESSLY AUTHORIZED IN WRITING BY KOOLTRONIC, INC.



REVISIONS				
SYM	NOTICE	DESCRIPTION	DATE	APPROVED
-	ER 00/39	NEW DRAWING RELEASE	3/16/00	RL
A	EC 01/14	PICTORIALLY CHANGED COMPRESSOR	9/29/01	SDS
B	EC 04/241	ADDED WIRE TERMINATION NUMBERS	7/20/04	JS
C	EC 06/098	CHANGED COMPRESSOR WIRE TERMINATIONS -13 WAS -05	3/22/06	JS
D	EC 06/095	BLU 23\"/>		
E	EC 07/005	ADDED 0459-219 TERMINAL TO 38\"/>		
F	EC 08/559	CHANGED THE COMPRESSOR BLOWER WIRE FROM 12\"/>		
G	EC 14/170	REMOVED SURGE SUPPRESSOR 0452-51	4/29/14	SDS/MEW/

ALL DIMENSIONS ARE IN INCHES.		DIMENSIONS DESIGNED MM ARE IN MILLIMETERS.	
UNLESS OTHERWISE SPECIFIED		DRAWN	
TOLERANCES UNLESS OTHERWISE		R. LIEDTKA	
TOL. ON	INCHES	MM	DATE
.XX	± .02	±	4/3/06
.XXX	± .010	±	ENG.
ANGULAR	± 1/2°		WFG. ENG.
MATERIAL		TITLE	
K2AAC1-4H9L		WIRING DIAGRAM	
APPROVED B KRELELY		AIR CONDITIONER	
DATE	4/12/06	SCALE	N/A
CODE IDENT. NO.	06223	SIZE	B
DRWG. NO.	WD-569	CAD. REF.	WD-569
SHEET	1	OF	1



F 1 2 3 4 5 6 7 8

E 1 2 3 4 5 6 7 8

D 1 2 3 4 5 6 7 8

C 1 2 3 4 5 6 7 8

B 1 2 3 4 5 6 7 8

A 1 2 3 4 5 6 7 8