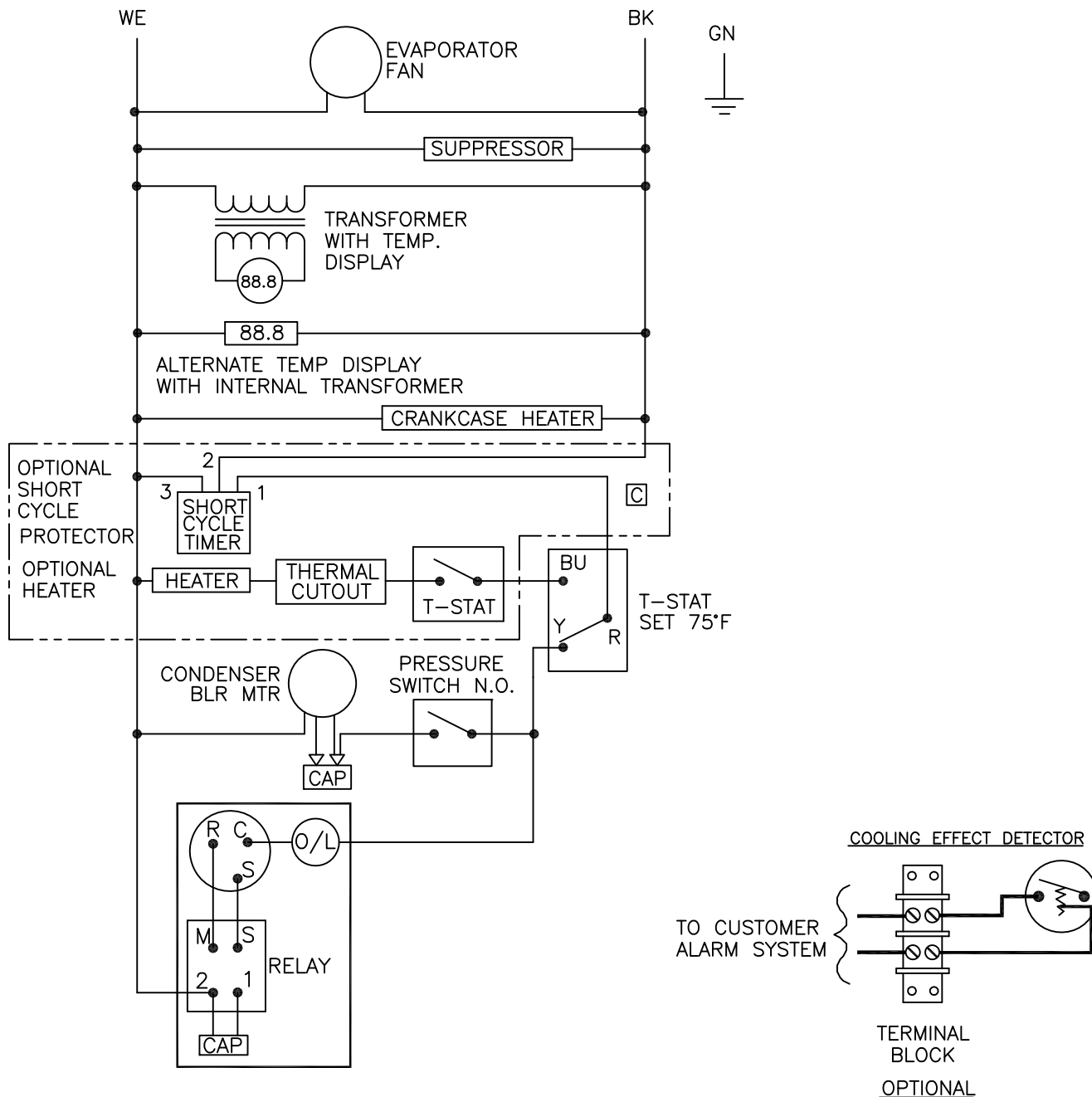


THIS DOCUMENT IS THE PROPERTY OF KOOLTRONIC, INC. AND CONTAINS PROPRIETARY AND CONFIDENTIAL INFORMATION WHICH MUST NOT BE DUPLICATED, USED OR DISCLOSED TO OTHERS, EXCEPT AS EXPRESSLY AUTHORIZED IN WRITING BY KOOLTRONIC, INC.

REVISIONS

SYM	NOTICE	DESCRIPTION	DATE	APPROVED
A		NEW DRAWING	6/21/00	RL
B	EC 05/369	ADDED ALTERNATE TEMP DISPLAY	9/22/05	SDS
C	EC 08/707	REVISED SHORT CYCLE TIMER WIRING PER MARK UP	9/2/08	RDM



ALL DIMENSIONS ARE IN INCHES,  
DIMENSIONS DESIGNATED MM ARE IN MILLIMETERS.

UNLESS OTHERWISE SPECIFIED TOLERANCES NON-ACCUMULATIVE		
TOL. ON	INCHES	MM
.XX	± .02	±
.XXX	± .010	±
ANGULAR	± 1/2°	
MATERIAL		
UNITS	RP17/RP28	

DRAWN R. LIEDTKA	DATE 6/21/00
CHECKED	
ENG.	
MFG. ENG.	
APPROVED	



WIRING DIAGRAM

CODE IDENT. NO. 06223	SIZE A	DWG. NO. WD-599	REV C
SCALE N/A	CAD. REF. WD-599	SHEET 1 OF 1	