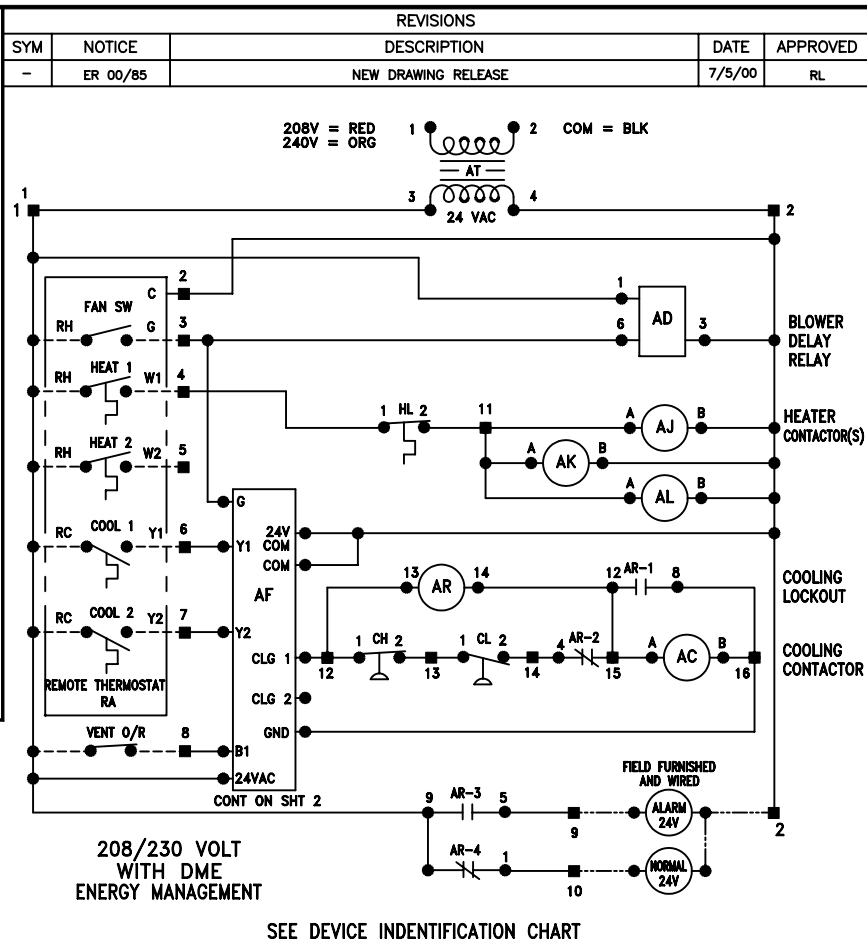
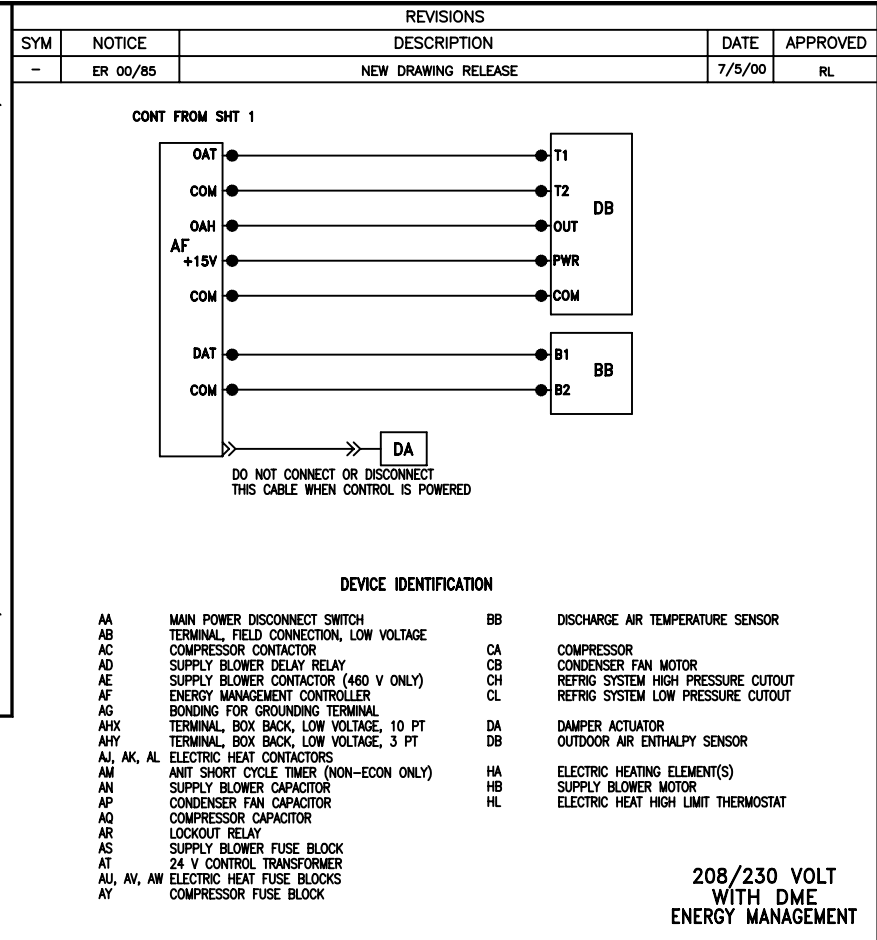


THIS DOCUMENT IS THE PROPERTY OF KOOLTRONIC, INC. AND CONTAINS PROPRIETARY AND CONFIDENTIAL INFORMATION WHICH MUST NOT BE DUPLICATED, USED OR DISCLOSED TO OTHERS, EXCEPT AS EXPRESSLY AUTHORIZED IN WRITING BY KOOLTRONIC, INC.



ALL DIMENSIONS ARE IN INCHES, DIMENSIONS DESIGNATED MM ARE IN MILLIMETERS.		<b>KOOLTRONIC, INC.</b> HOPEWELL, NJ VENTURA, CA USA	
UNLESS OTHERWISE SPECIFIED TOLERANCES NON-ACCUMULATIVE	DRAWN R. LIEDTKA	DATE	
TOL. ON INCHES MM	CHECKED		
.XX ± .02 ±	ENG.		
.XXX ± .010 ±	MFG. ENG.		
ANGULAR ± 1/2°			
MATERIAL		CODE IDENT. NO.	SIZE DWG. NO. REV
UNITS	APPROVED	06223	A WD-603 -
KCA6015E		SCALE	CAD. REF. DWG. NO. SHEET
		WD-603	1 OF 2

THIS DOCUMENT IS THE PROPERTY OF KOOLTRONIC, INC. AND CONTAINS PROPRIETARY AND CONFIDENTIAL INFORMATION WHICH MUST NOT BE DUPLICATED, USED OR DISCLOSED TO OTHERS, EXCEPT AS EXPRESSLY AUTHORIZED IN WRITING BY KOOLTRONIC, INC.



ALL DIMENSIONS ARE IN INCHES, DIMENSIONS DESIGNATED MM ARE IN MILLIMETERS.		<b>KOOLTRONIC, INC.</b> HOPEWELL, NJ VENTURA, CA USA	
UNLESS OTHERWISE SPECIFIED TOLERANCES NON-ACCUMULATIVE	DRAWN R. LIEDTKA	DATE	
TOL. ON INCHES MM	CHECKED		
.XX ± .02 ±	ENG.		
.XXX ± .010 ±	MFG. ENG.		
ANGULAR ± 1/2°			
MATERIAL		CODE IDENT. NO.	SIZE DWG. NO. REV
UNITS	APPROVED	06223	A WD-603 -
KCA6015E		SCALE	CAD. REF. DWG. NO. SHEET
		WD-603	2 OF 2

**CONTROL WIRING DIAGRAM WALL MOUNTED UNIT**