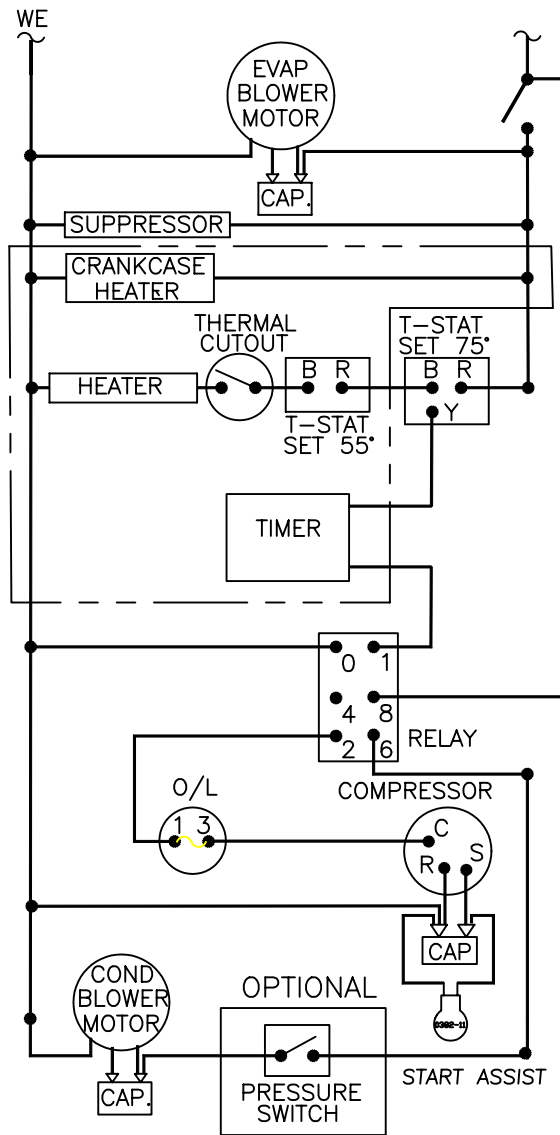


THIS DOCUMENT IS THE PROPERTY OF KOOLTRONIC, INC. AND CONTAINS PROPRIETARY AND CONFIDENTIAL INFORMATION WHICH MUST NOT BE DUPLICATED, USED OR DISCLOSED TO OTHERS, EXCEPT AS EXPRESSLY AUTHORIZED IN WRITING BY KOOLTRONIC, INC.

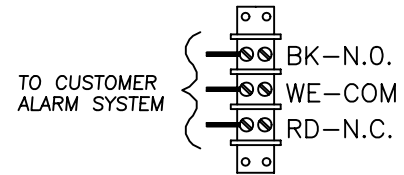
REVISIONS

SYM	NOTICE	DESCRIPTION	DATE	APPROVED
-	EC 01/209	NEW DRAWING RELEASE	9/6/01	JS



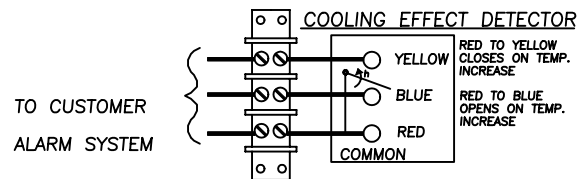
OPTIONAL

LOW AIR FLOW DETECTOR

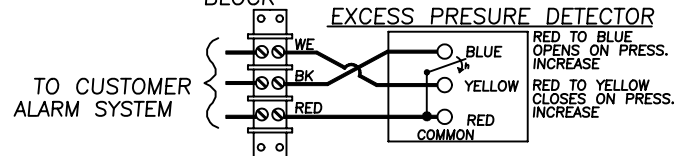


TERMINAL BLOCK

TERMINAL BLOCK



TERMINAL BLOCK



ALL DIMENSIONS ARE IN INCHES, DIMENSIONS DESIGNATED MM ARE IN MILLIMETERS.



HOPEWELL, NJ VENTURA, CA USA

WIRING DIAGRAM

UNLESS OTHERWISE SPECIFIED TOLERANCES NON-ACCUMULATIVE			DRAWN JERRY STEDNICK	DATE 09/6/01
TOL. ON	INCHES	MM	CHECKED	
.XX	± .02	±	ENG.	
.XXX	± .010	±	JIM DISLER	9/6/01
ANGULAR		± 1/2°	MFG. ENG.	
MATERIAL				
UNITS K2A4C12P47 K2A4C12P52, K2A4C12P59			APPROVED	

CODE IDENT. NO. 06223	SIZE A	DWG. NO. WD-727	REV -
SCALE 1=1	CAD. REF. WD-727	SHEET 1 OF 1	